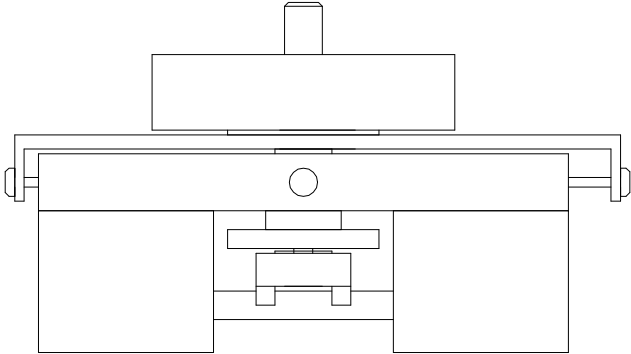
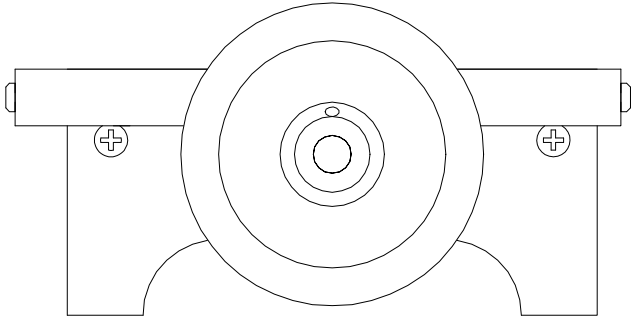


# Assembly Drawings

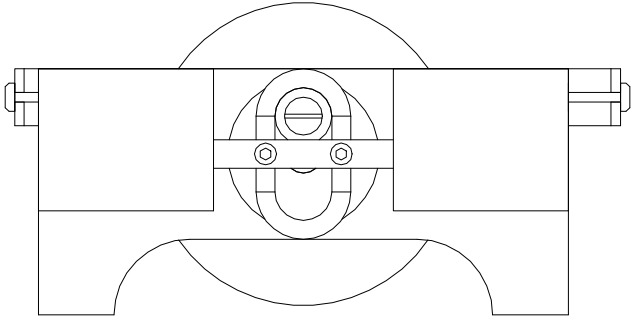
Double Scotch



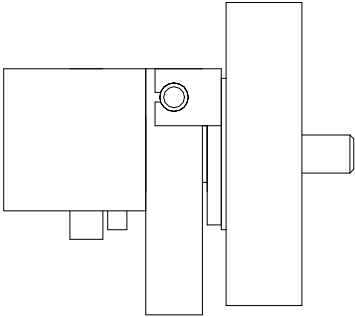
Top View



Front View



Back View



End View

