

Bradley 6mm Revolver gun

By I.Cerjak, cerjak_i@yahoo.com

Drawings may not be used for commercial purposes without written authorization of the author.
The author cannot be held responsible in any way for accidents or injuries as a result of the use the revolver gun.

Introduction

The presented cannon is designed for use in the 21st century brand 1/6th scale Bradley model.
With the specified motor the gun has a firing rate of 200rounds per minute @6V, and 400rpm @ 12V.

The gun shoots 6mm rim fire blanks.

General notes

Material; The information on materials specified in the drawings is not in detail, details on material, like grade and compound, to be determined by the manufacturer.

Hardening; The parts which require hardening (>30HRC) are marked with 'harden by oil hardening'.
Details on the hardening process to be determined by manufacturer.

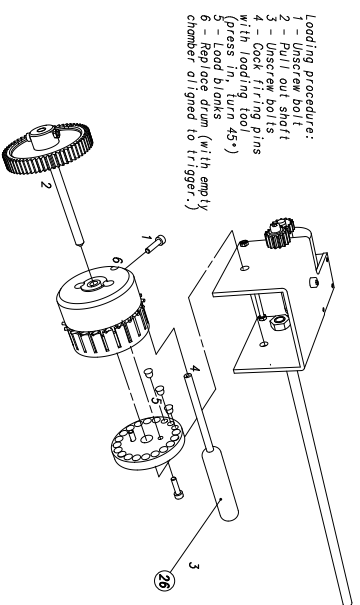
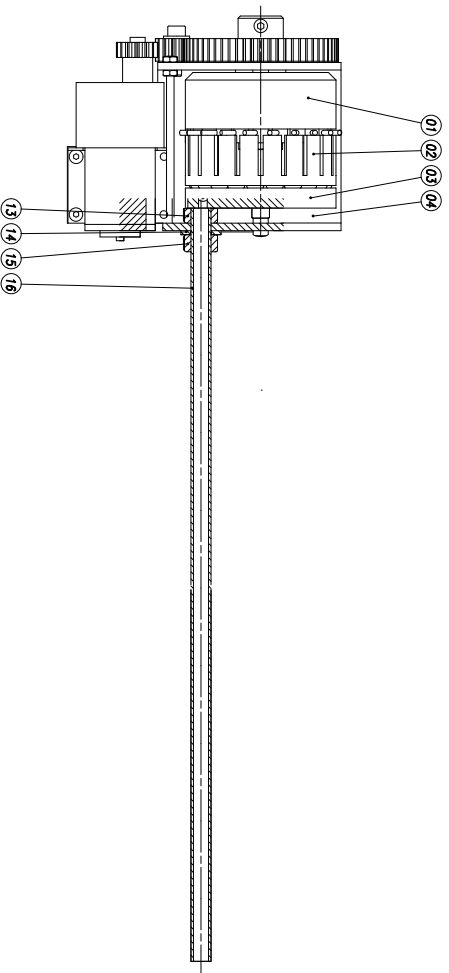
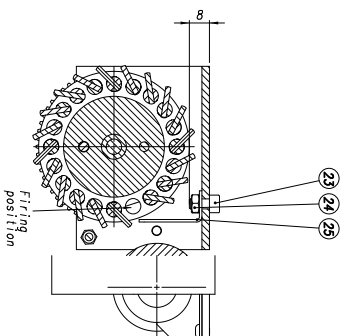
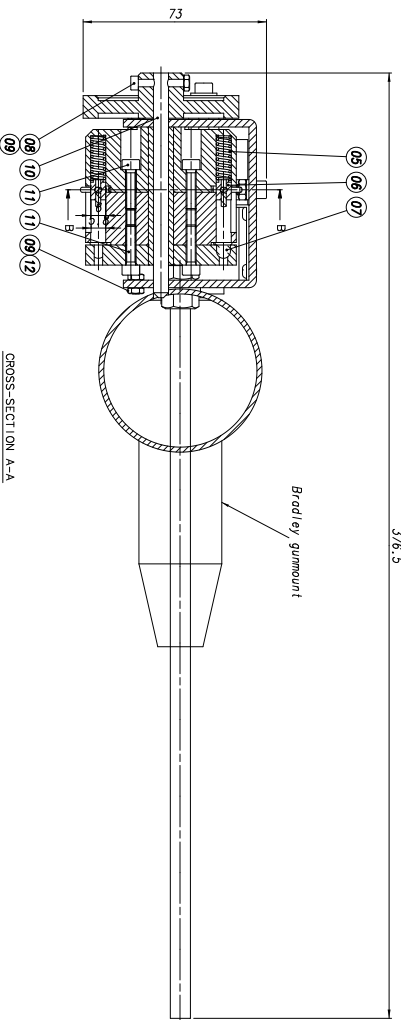
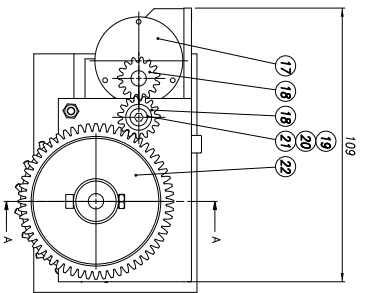
Tolerances; General tolerances unless otherwise stated according to ISO-2768-mK-E, Geometrical tolerances unless otherwise stated according to ISO-8015-E

Finish: Roughness unless otherwise stated <0,8micron (32 ru/micro") Ra/C.L.A. (DIN3142) Break all sharp edges.

Contents

Drawing #	Part name	Drawing size
RCT-02-00	Main Assembly	A1
RCT-02-01	Spring Drum	A3
RCT-02-02	Firing Pin Drum	A3
RCT-02-03	Drum Magazine	A3
RCT-02-04	Housing	A3
RCT-02-06	Firing Pin	A4
RCT-02-10	Barrel, Shaft, & Misc.	A3

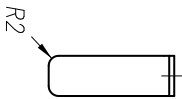
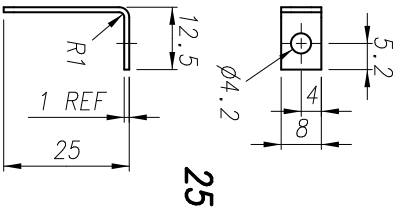
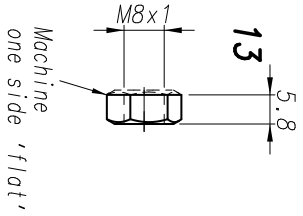
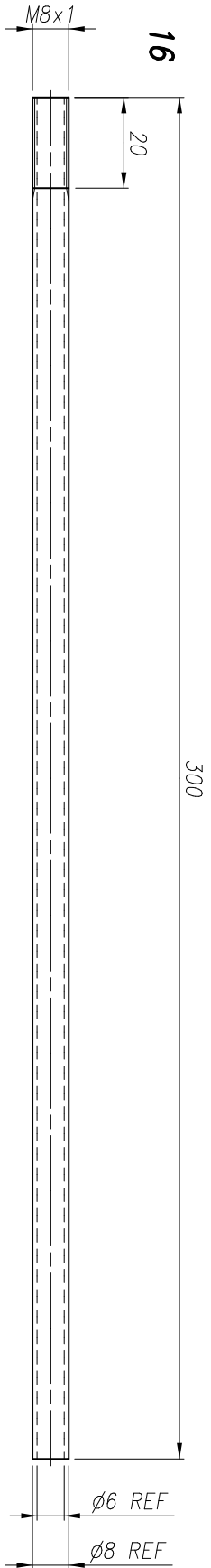
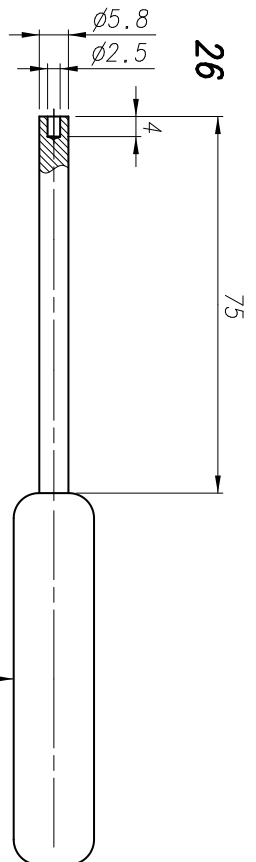
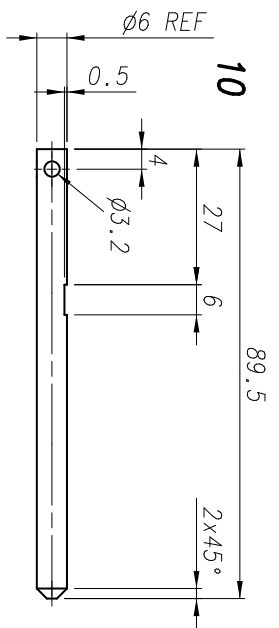
18/08/2004



- Loading procedure:**
 1 - Unscrew bolt
 2 - Pull out shaft
 3 - Place firing pins
 4 - Cock firing pins with loading tool (press in, turn 45°)
 5 - Load blanks (with empty chamber of 1/9th to trigger.)

28	1	loading tool										
29	1	Trigger	S1S1_304						RCI-02-10			
24	1	Hexagon Nut M4	S1S1_304						RCI-02-10	ISO 4032 (DIN 934)		
23	1	H.S.H Cop screw M4x8	S1S1_304						ISO 4782 (DIN 912)			
22	1	Gear M1-60T							Cont'd-23 74 50-51			
21	1	Bushing D=6(D)=4(L)=9.5	MKS8									
20	1	Washer M3 3x0	S1S1_304						ISO 7093 (DIN 9021)			
19	1	H.S.H Cop screw M3x16	S1S1_304						ISO 4782 (DIN 912)			
18	1	Gear M1-15T	Acefel						Cont'd-23 73 29-51			
17	1	Motor 85rpm							Cont'd-22 23 74-51			
16	1	Nut M8F	S1S1_304						RCI-02-10			
15	1	Nut M8F	S1S1_304						ISO 7089 (DIN 1254)			
14	1	Washer M8	S1S1_304						RCI-02-10			
13	1	Nut M8F Flt	S1S1_304									
12	1	Tr. rod M3x1-72	S1S1_304									
11	4	H.S.H Cap screw M4x16	S1S1_304						ISO 4782 (DIN 912)			
10	1	Shaft	S1S1_304						RCI-02-10			
09	5	Hexagon Nut M3	S1S1_304						ISO 4032 (DIN 934)			
08	1	H.S.H Cop screw M3x20	S1S1_304						ISO 4782 (DIN 912)			
07	19	6mm blank										
06	19	Firing Pin	M5/S1S1						RCI-02-06			
05	19	Coil spring	SP-S1						d=0.8/mm-9/mm=18.5/L=36			
04	1	Housing	AL 505T						RCI-02-04			
03	1	Drum magazine	S1S1_304						RCI-02-03			
02	1	Firing pin drum	AL 515T						RCI-02-02			
01	1	Spring drum	AL 515T						RCI-02-01			
ITEM QTY PARTNAME MATERIAL									PARTNUMBER/REMARKS	DTL	NO	NAME
<p>RC-Tanks Main ass'y</p> <p>Brodley Bmm Revolvergun</p>												
<p>Scale: 1:1</p> <p>Drawn: LK Check: MS Approved: MS Date: 15/03/15</p> <p>5146 Part Number: A1 RCI-02-00</p> <p>Sheet No. 1. Number of sheets: 1</p>												

Iliya Cerjak



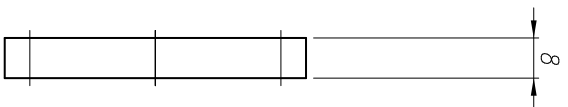
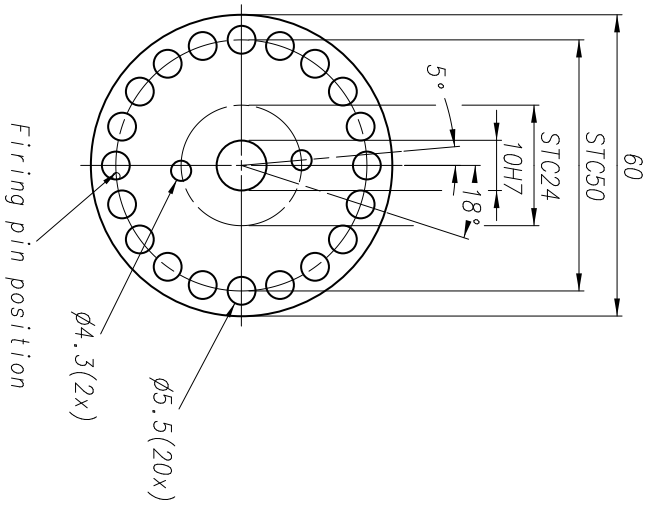
ITEM	QTY	PARTNAME	MATERIAL	PARTNUMBER/REMARKS	Date	Name
26	1	Loadingtool	S1St 304		18-08-2004	I. Cerjak
25	1	Trigger	S1St 304	d=1	18-08-2004	I. Cerjak
16	1	Barrel	S1St 304	ø8/ø6		
13	1	Nut M8x1 flat	S1St 304	ø6g6		
10	1	Shaft	S1St 304	ø6g6		

RC Tanks		Shaft, barrel, &misc.	
Bradley		6mm Revolvergun	
scale: 1:1	0	50	Dim. in mm
General tolerances (metrical tolerances) unless otherwise stated according to ISO-2768-mK-E			
Surface roughness (Ra) unless otherwise stated according to DIN 3142			
PDI	18-08-2004		I. Cerjak
DRN	18-08-2004		I. Cerjak
MOD			

Iliya Cerjak

Size A3
Partnumber: RCT-02-10

Sheet No: 1 Number of sheets:

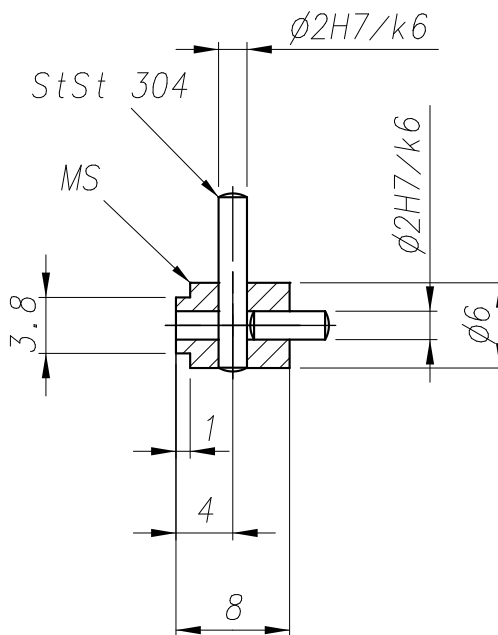
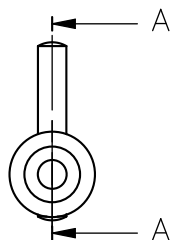
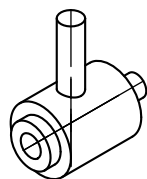


03	1	Drum magazine	StSt 304		
ITEM	QTY	PARTNAME	MATERIAL	PARTNUMBER/REMARKS	
RC Tanks Bradley 6mm Revol/vergun			Drum Magazine		
Scale: 1:1					
Scale: 1:1		Dim. in mm		General tolerances (metrical tolerances) unless otherwise stated according to ISO-2768-mK-E Surface roughness (metrical tolerances) unless otherwise stated according to DIN 3142	
DRN	MOD	PDT	Date	Name	
17-08-2004		18-08-2004		I. Cerjak	

Iliya Cerjak

Size A3
 Partnumber: RCT-02-03

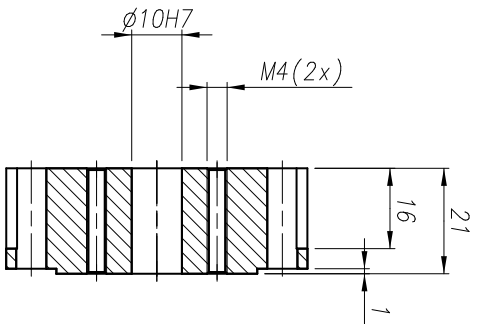
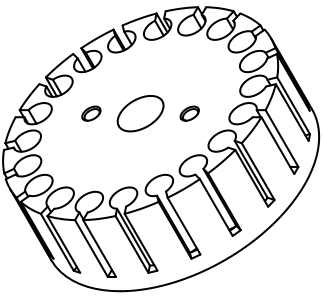
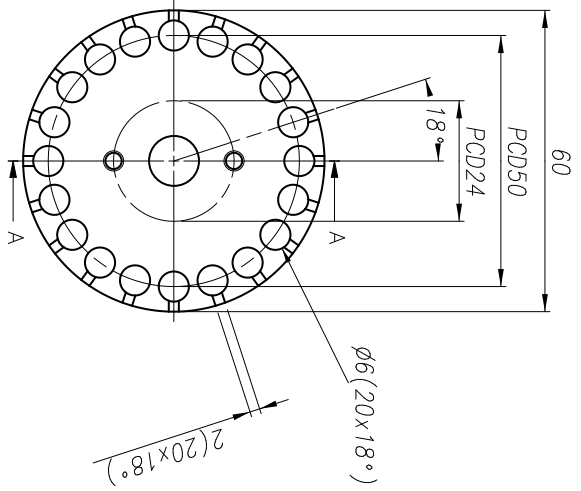
Sheet No: 1 Number of sheets: 1



CROSS-SECTION A-A

This drawing may not be used for commercial purposes without written authorisation

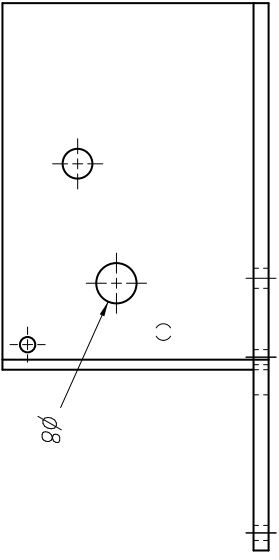
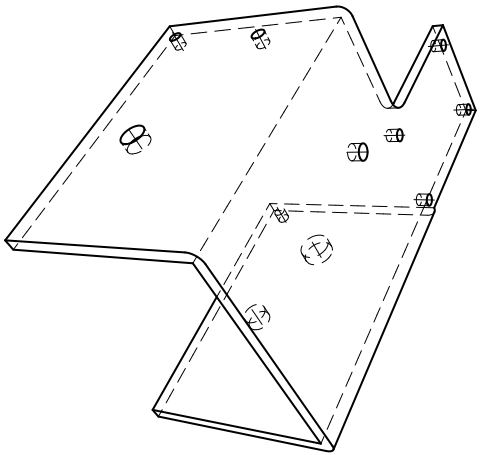
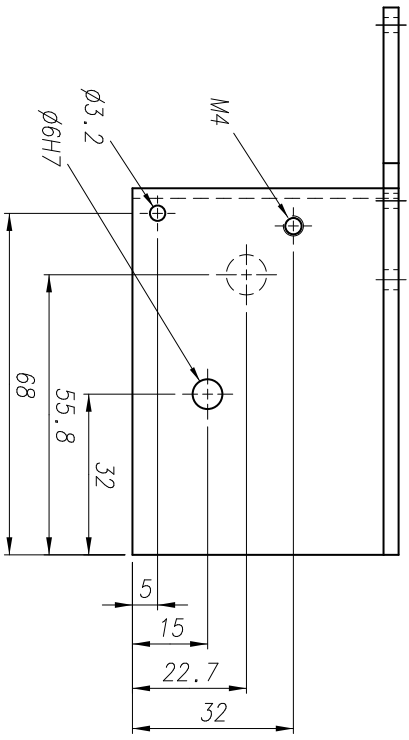
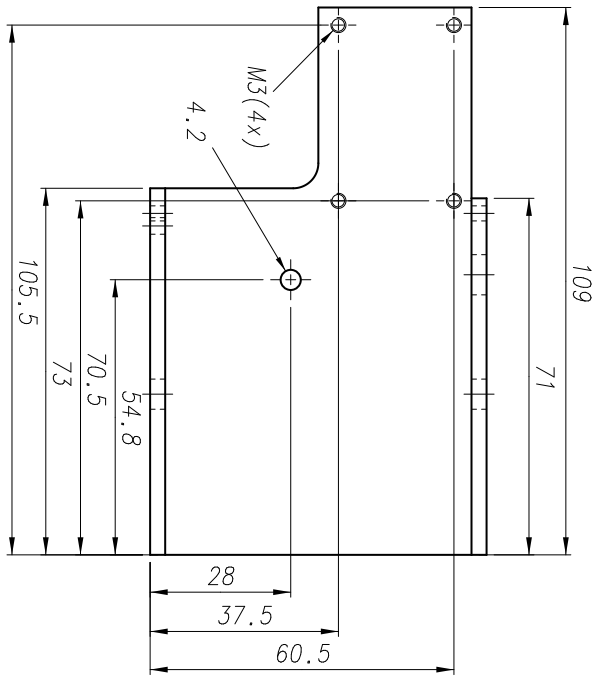
06	19	Firing pin	MS/StSt 304				
ITEM	QTY	PARTNAME	MATERIAL	PARTNUMBER/REMARKS			
RC Tanks Bradley 6mm Revolvergun Firing Pin				Date	Name		
				DRN	18-08-2004	I.Cerjak	
				MOD			
				PDT	18-08-2004	I.Cerjak	
scale: 2:1							
		Dim. in mm		General tolerances unless otherwise stated according to ISO-2768-mK-E	Geometrical tolerances unless otherwise stated according to ISO-8015-E	Roughness unless otherwise stated according to DIN 3142	
<i>Iliya Cerjak</i>				Size	Partnumber:		
				A 4	RCT-02-06		
				Sheet No: 1 Number of sheets: 1			



CROSS-SECTION A-A

02	1	Firing pin drum	AL 51ST	
ITEM	QTY	PARTNAME	MATERIAL	PARTNUMBER/REMARKS
RC Tanks Bradley 6mm Revolvergun Firing Pin drum				
Scale: 1:1		Dim. in mm 0 50		
General tolerances otherwise stated according to ISO-2768-mK-E		Geometrical tolerances otherwise stated according to ISO-8015-E		
DRN MOD PDT		Date 17-08-2004 I, Cerjak 18-08-2004 I, Cerjak		
Size A3		Partnumber: RCT-02-02		
Sheet No: 1 Number of sheets: 1				

Iliya Cerjak



04	1	housing	AL 50ST	d=3
ITEM	QTY	PARTNAME	MATERIAL	PARTNUMBER/REMARKS

RC Tanks
Bradley
6mm Revol/vergun

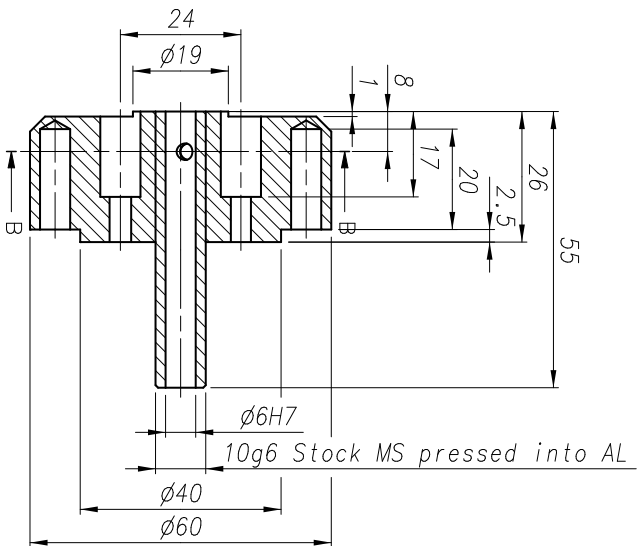
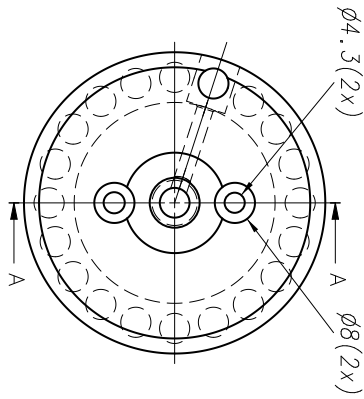
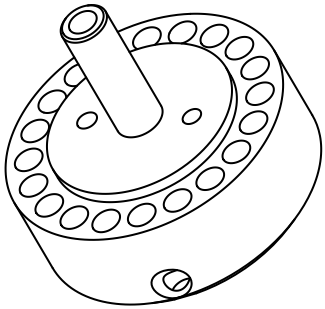
Housing

scale: 1:1	0	50
Dim. in mm		

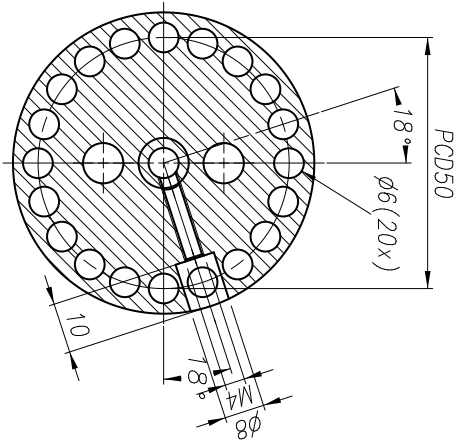
General tolerances	ISO-2768-mK-E	Geometrical tolerances	ISO-8015-E	Surface roughness	DIN 3142
Other tolerances	ISO-2768-mK-E	Other tolerances	ISO-8015-E	Other surface roughness	DIN 3142

Iliya Cerjak

Size	A3
Partnumber:	RCT-02-04
Sheet No: 1	Number of sheets: 1



CROSS-SECTION A-A



CROSS-SECTION B-B

01	1	Spring drum	AL 51S1/MS	
ITEM	QTY	PARTNAME	MATERIAL	PARTNUMBER/REMARKS
<p>RC Tanks Bradley 6mm Revol/vergun</p> <p>Spring drum</p>				
Scale: 1:1		Dim. in mm		
0		50		
General tolerances		Beneficial tolerances		
if not otherwise stated		if not otherwise stated		
according to ISO-2768-mK-E		according to ISO-8015-E		
PDT		18-08-2004		
DRN		17-08-2004		
MOD		I, Cerjak		
Name		I, Cerjak		
Date		17-08-2004		
Roughness		according to DIN 3142		

Illya Cerjak

Part number:
A3 RCT-02-01

Sheet No: 1 Number of sheets: 1