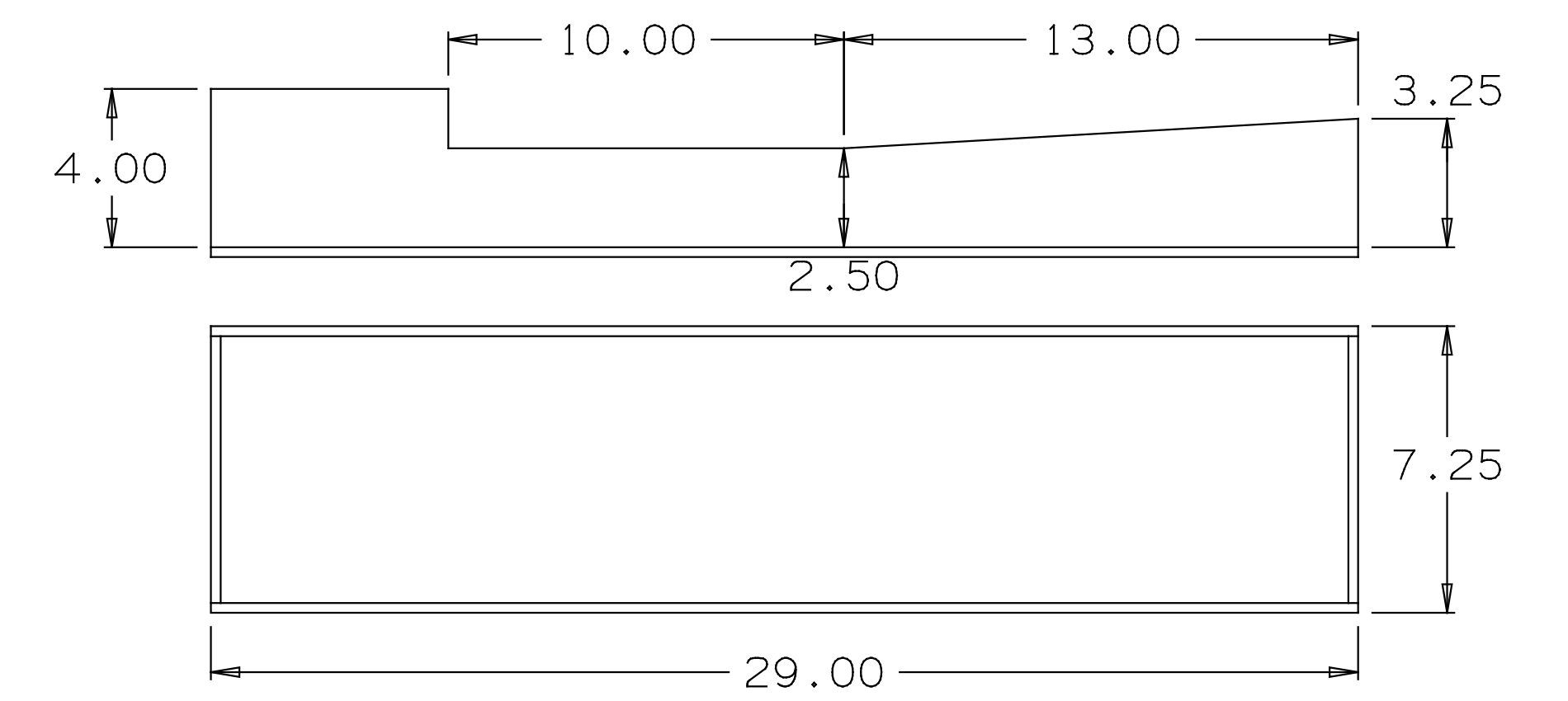
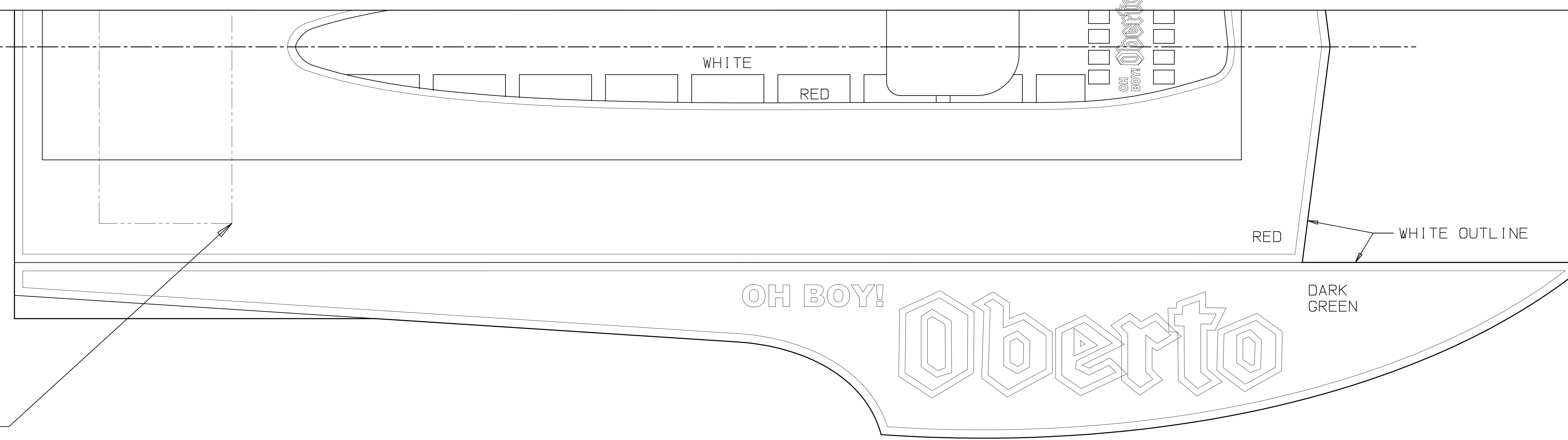
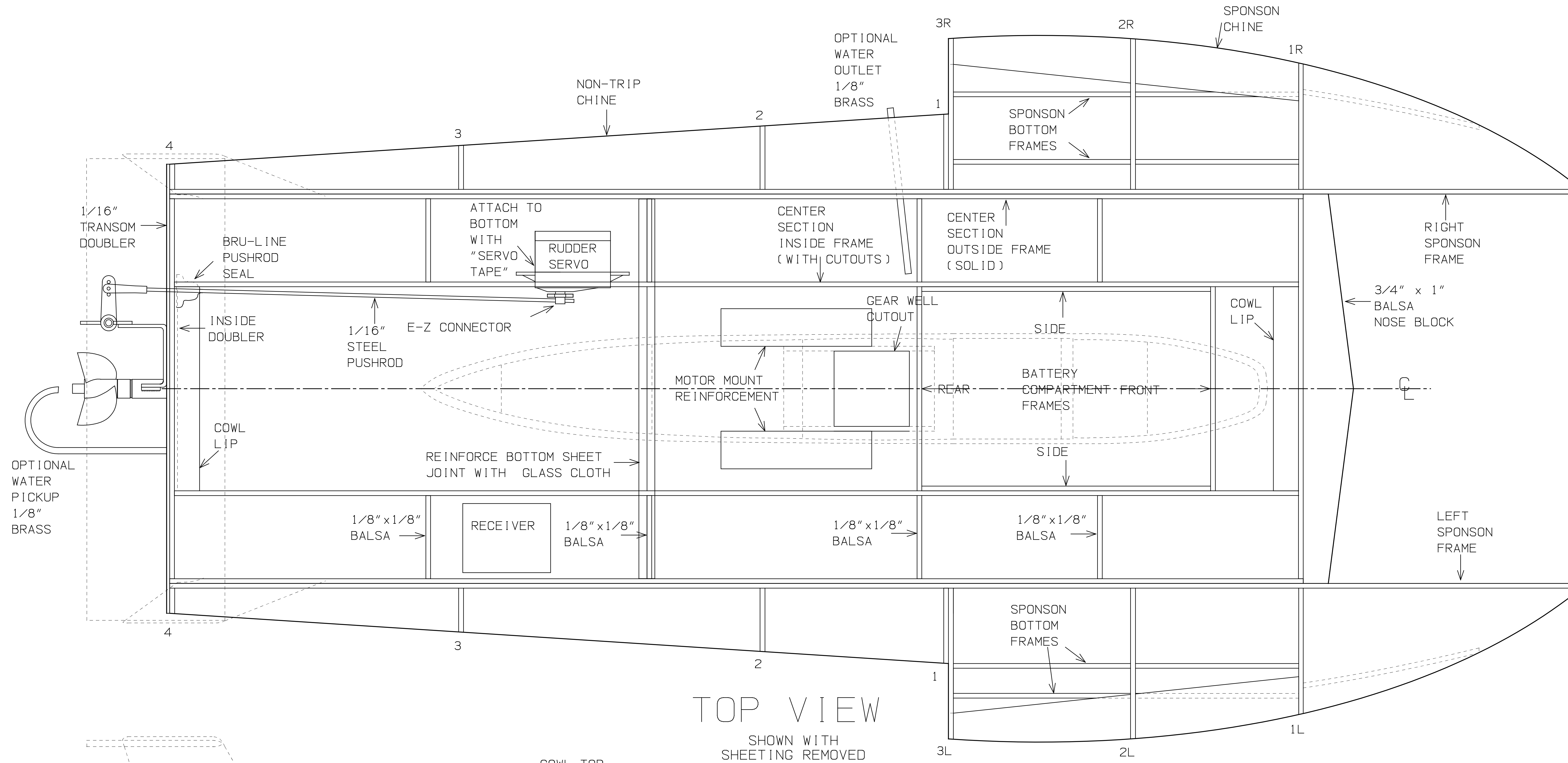


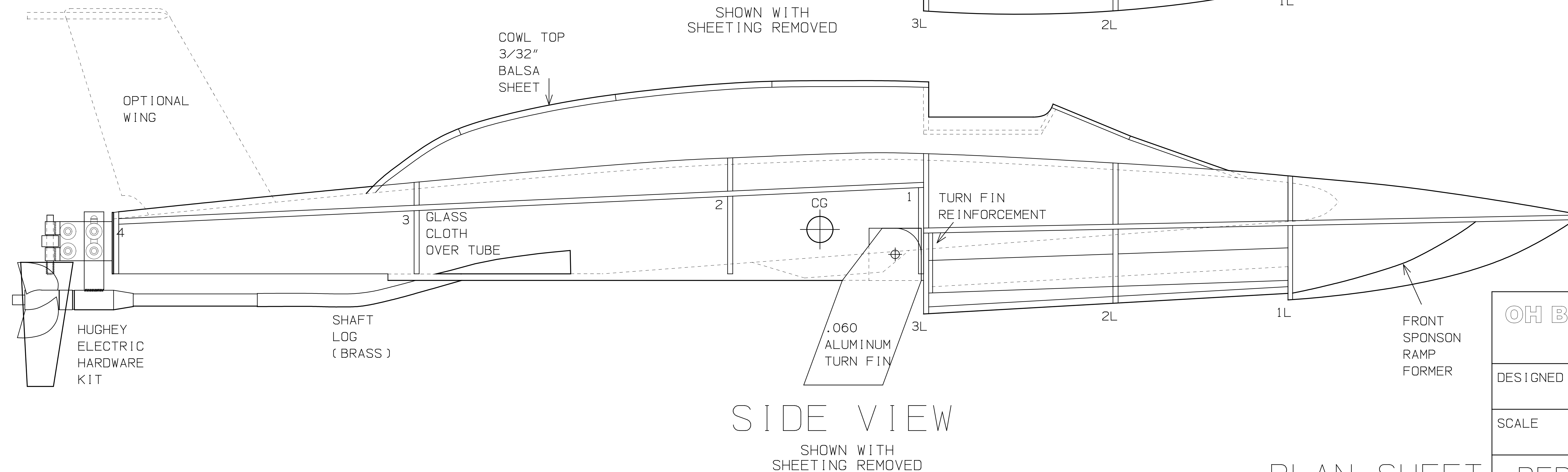
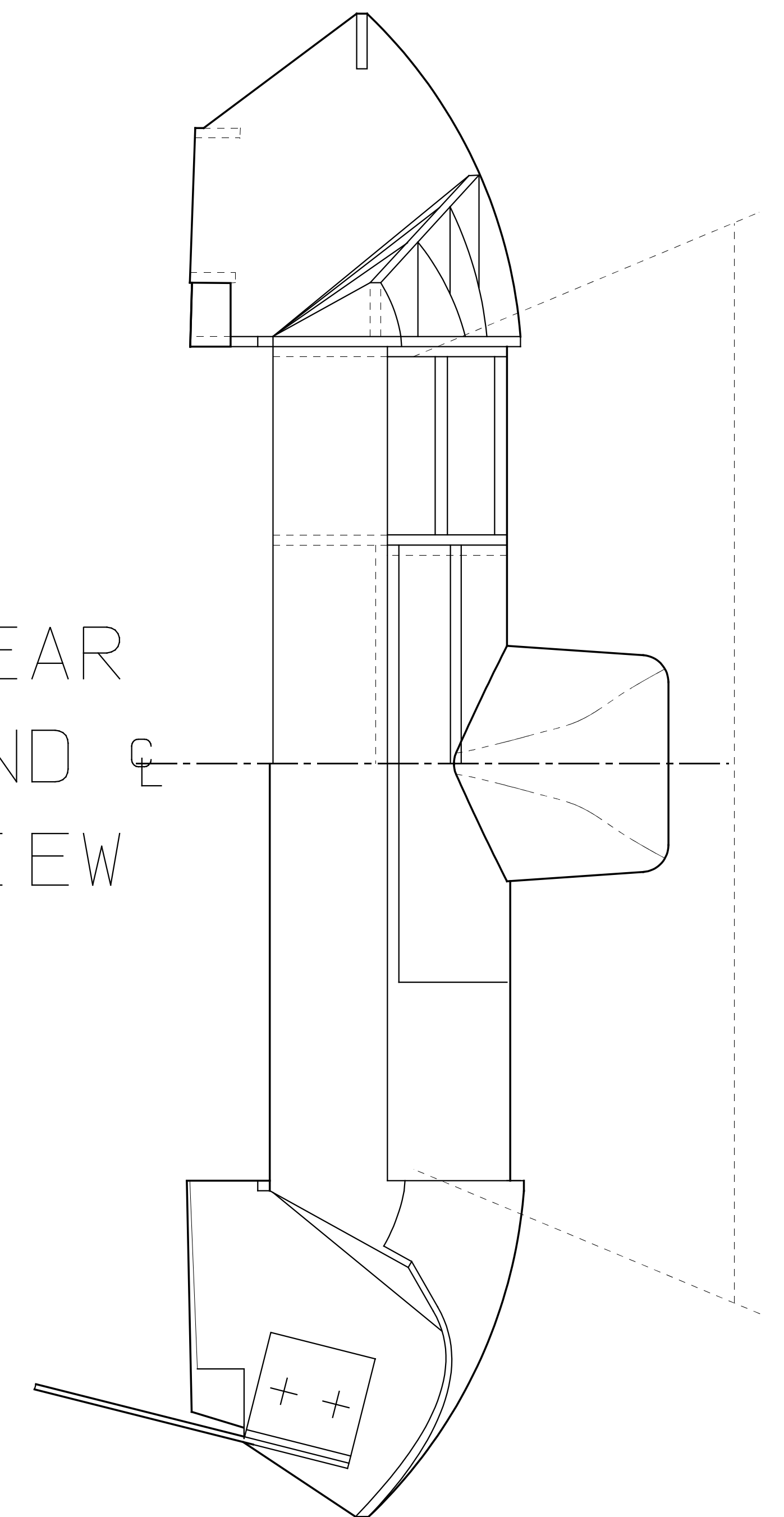
# OH BOY!



BOAT STAND  
1/4" PLYWOOD  
SHOWN 1/4 SCALE

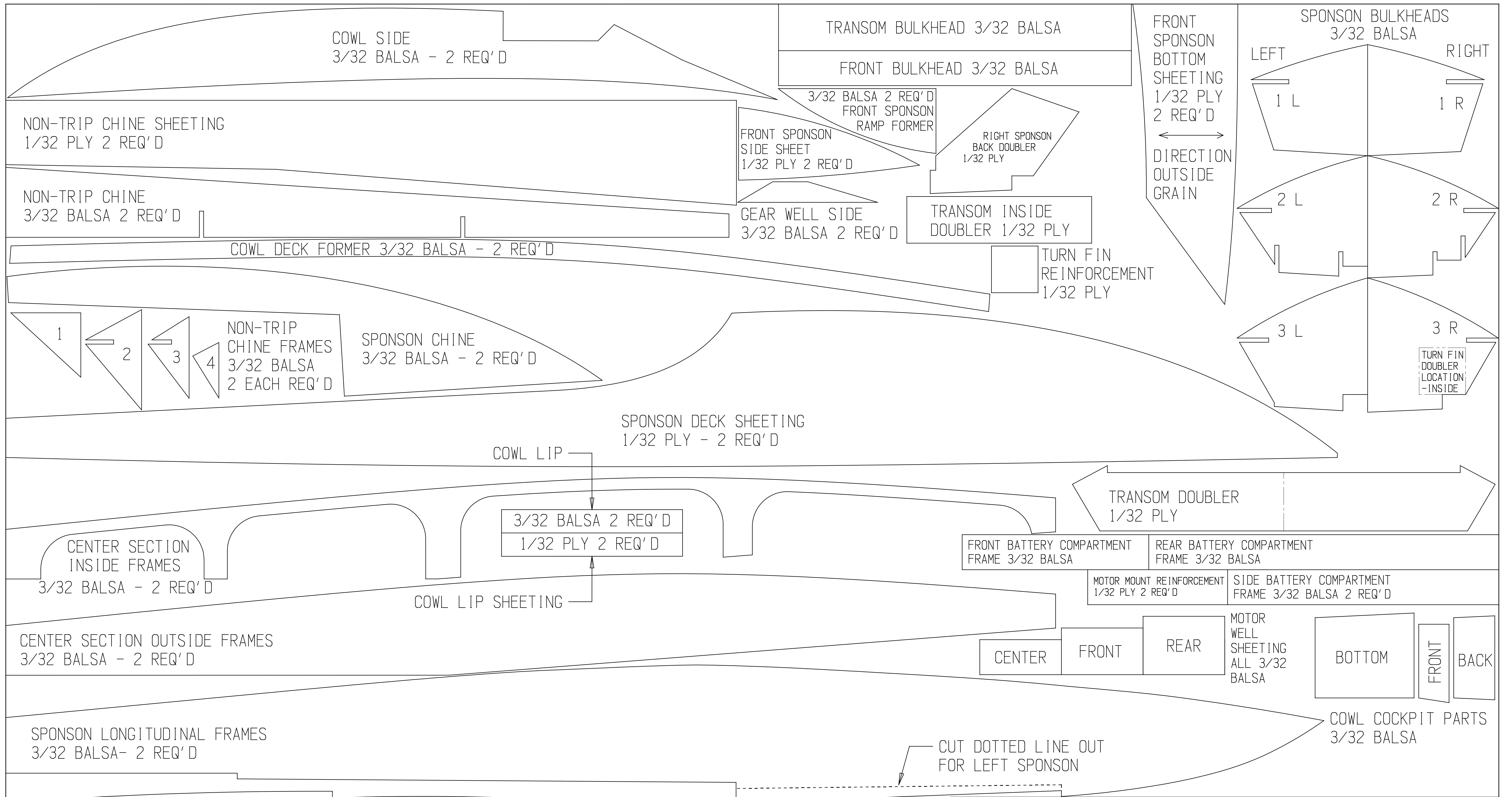


REAR END VIEW



PLAN SHEET

OH BOY! Oberto		SPORT HYDROPLANE	
DESIGNED BY	DAVE FRANK	DATE	4-12-1993
SCALE	1" = 1"	SECOND REVISION	
DFRP 9301-1		PUBLIC DOMAIN	



LEFT SPONSON SIDE SHEETING 1/32 PLY
LEFT SPONSON BOTTOM SHEETING 1/32 PLY
LEFT SPONSON BOTTOM SHEETING 1/32 PLY
SPONSON BOTTOM FRAME 3/32 Balsa

RIGHT SPONSON SIDE SHEETING 1/32 PLY
RIGHT SPONSON BOTTOM SHEETING 1/32 PLY
RIGHT SPONSON BOTTOM SHEETING 1/32 PLY

OTHER REQUIRED PARTS:  
ALL 1/32 PLY

BOTTOM SHEETING, REAR: 7-5/8 X 9-1/2  
 BOTTOM SHEETING, FRONT: 7-5/8 x 13-3/16  
 DECK SHEETING, SIDES: 1-7/8 X 23 - 2 REQ'D  
 DECK SHEETING, COWL: 3-7/8 X 22

PARTS SHEET

OH BOY! <b>Oberto</b> SPORT HYDROPLANE	
DESIGNED BY DAVE FRANK	DATE 4-12-1993
SCALE 1" = 1"	SECOND REVISION
DFRP 9301-2	PUBLIC DOMAIN