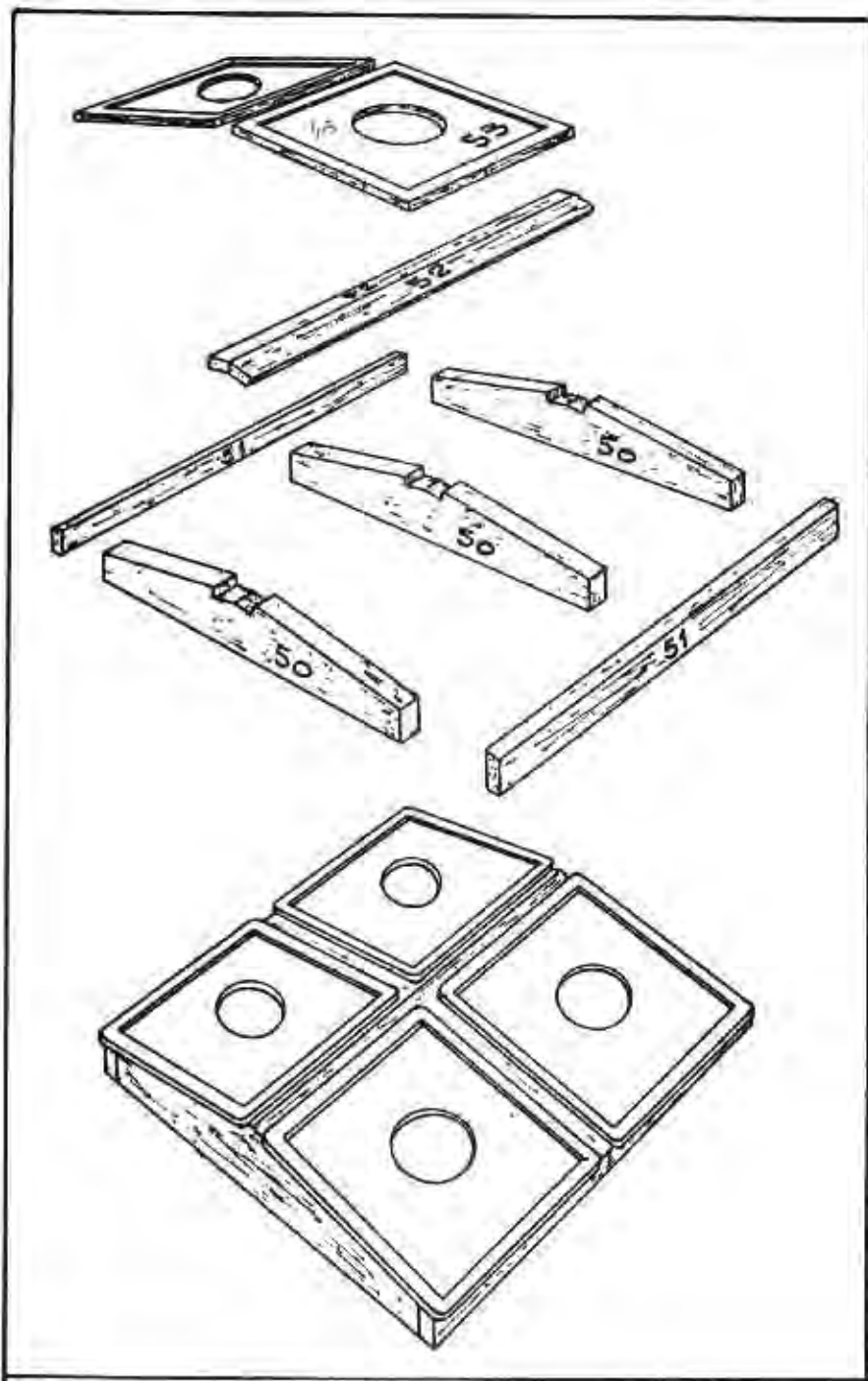


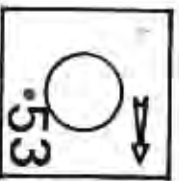
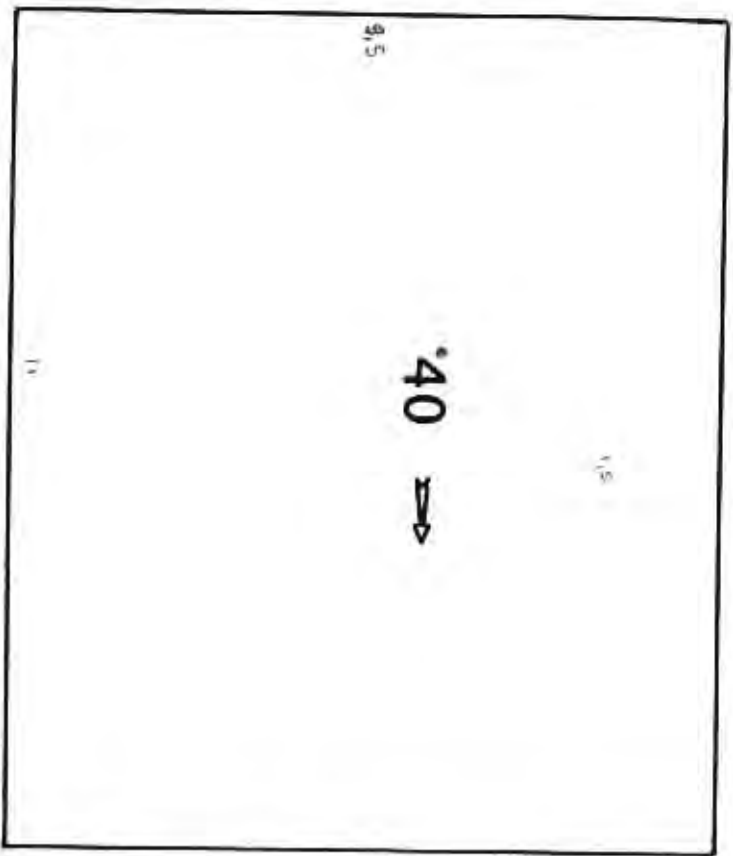
10 CM



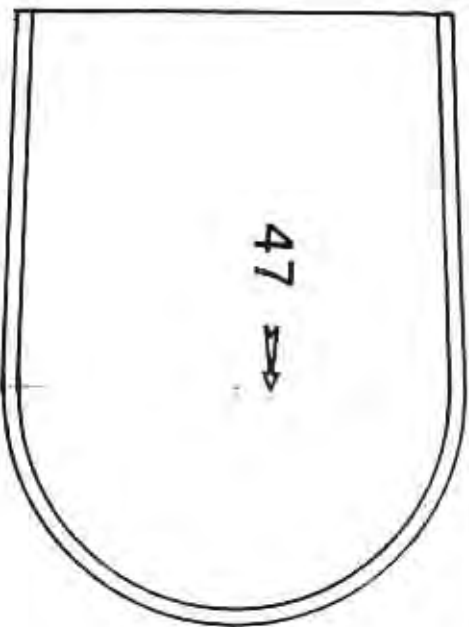
4



20

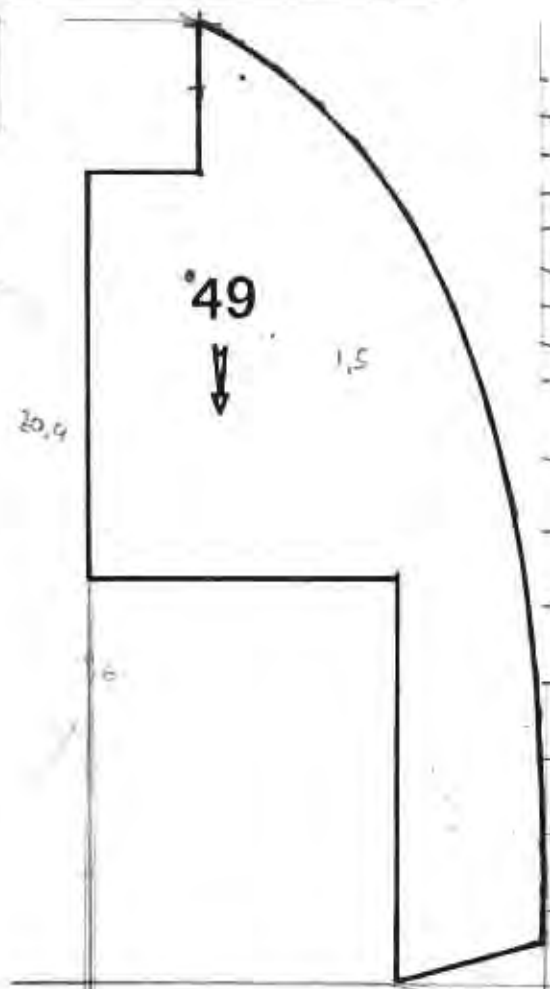
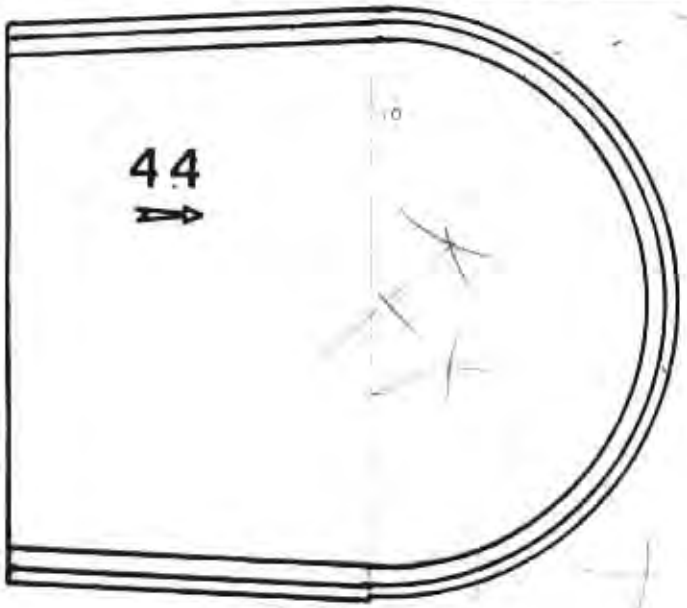
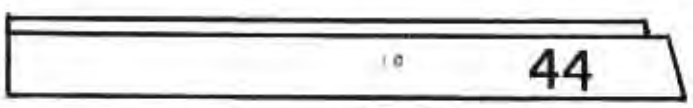
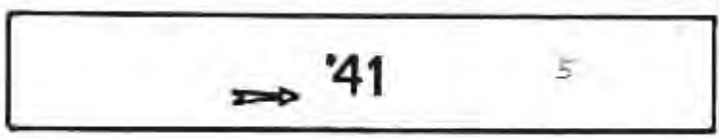
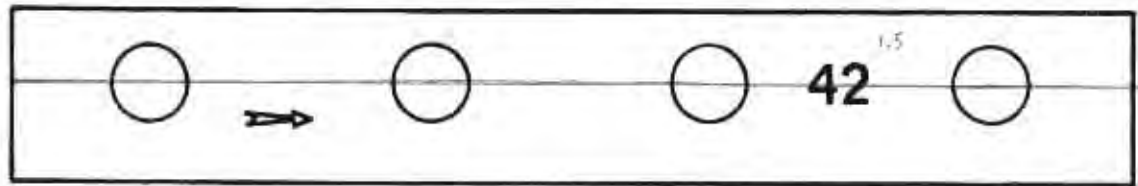
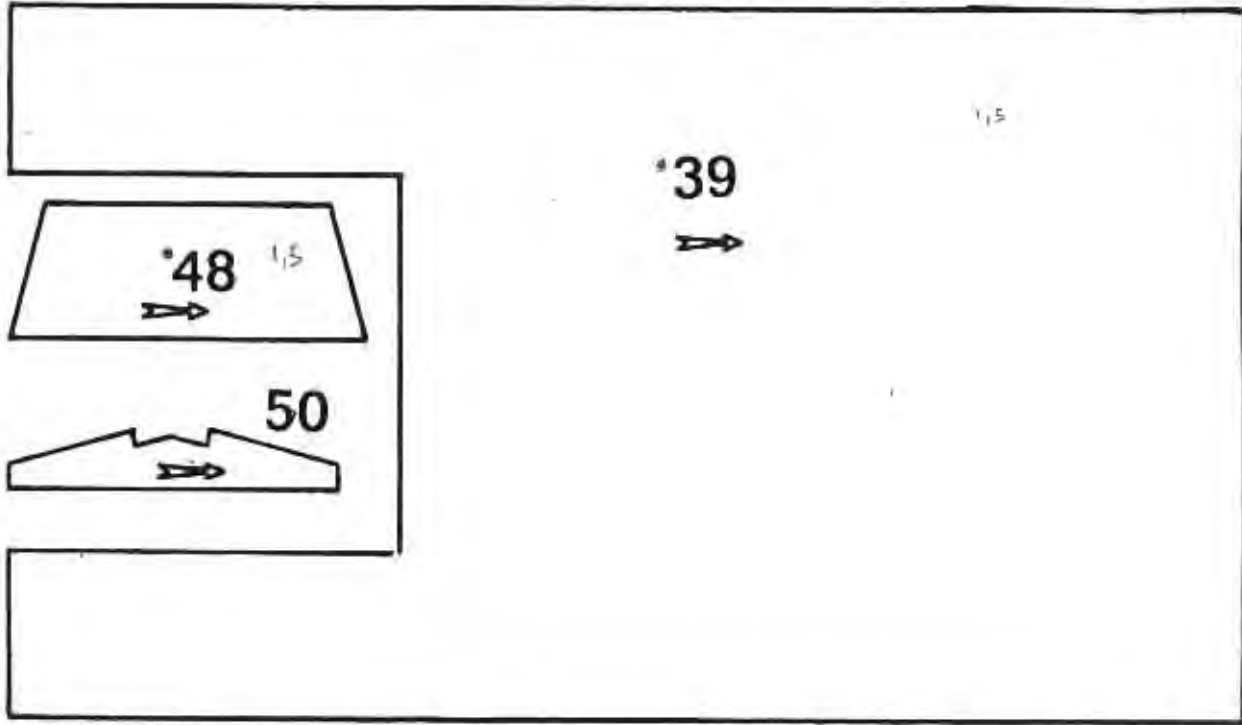


43.

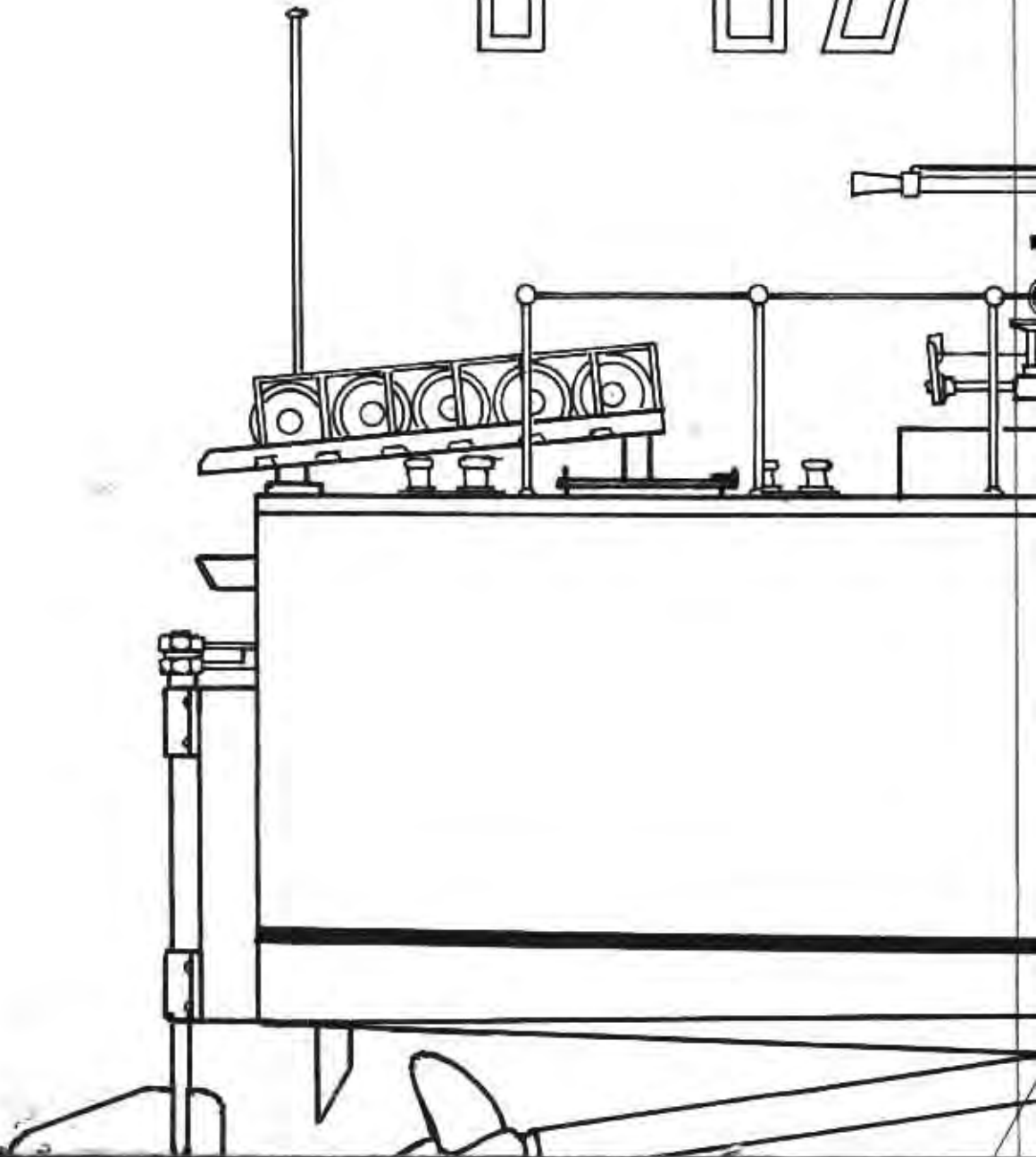


47 →

72 →

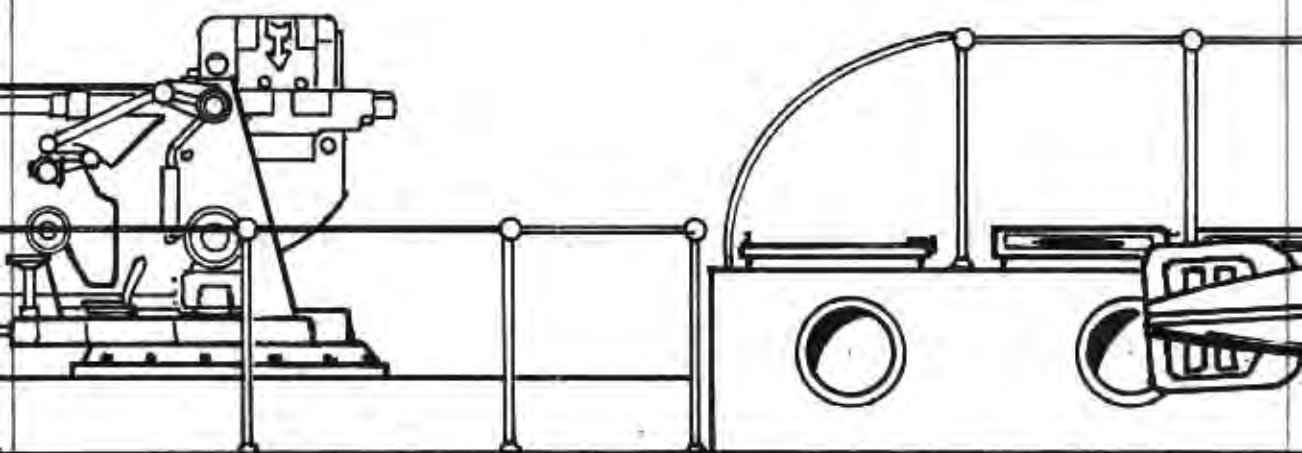


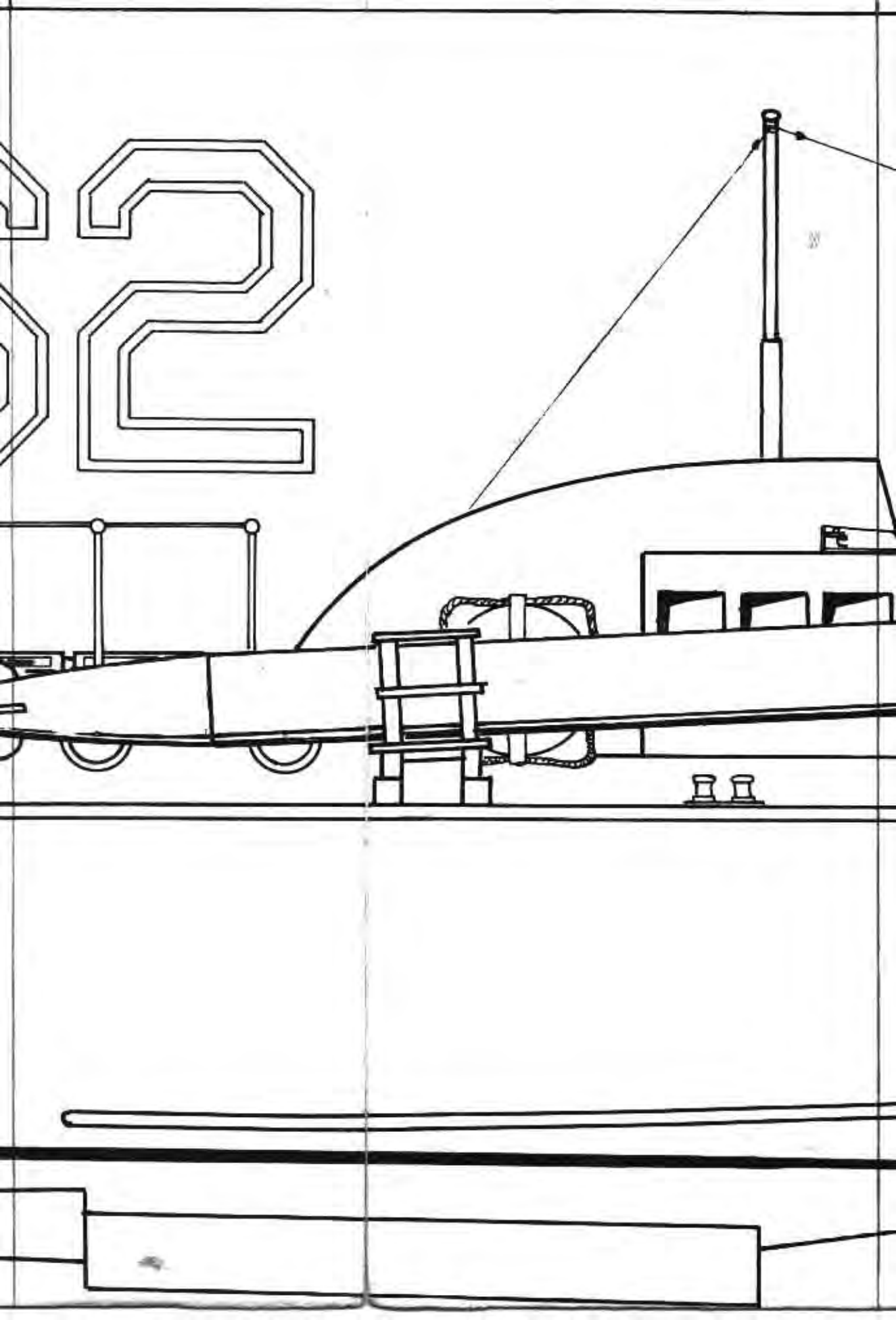
MAA





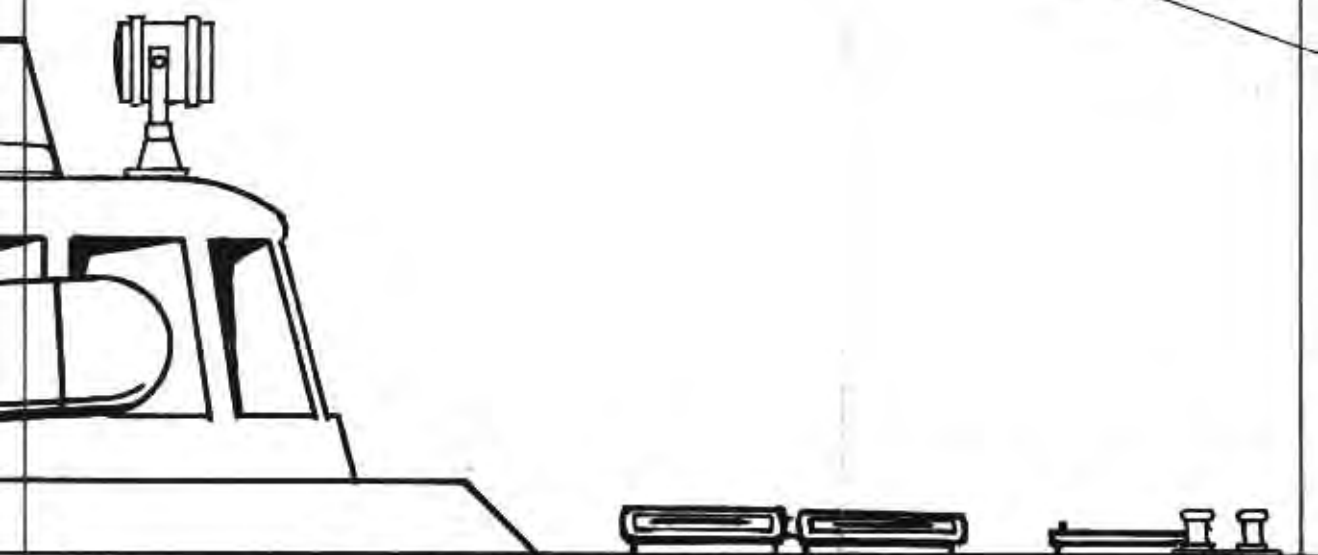
ASSS





DM 2

PER MOTORI A SCOPPIO

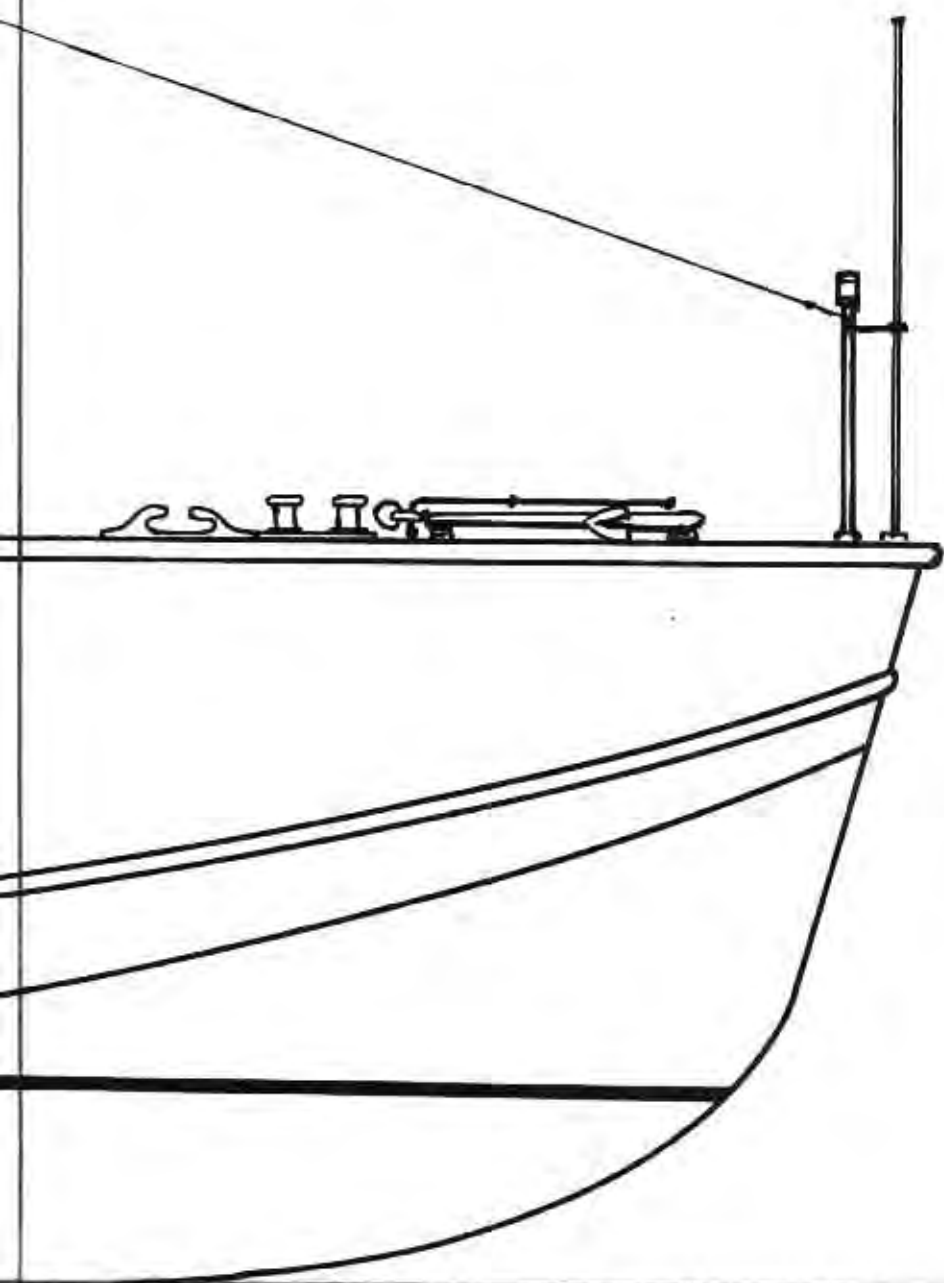


MAS 562

5.2.69

tavola 1

PILO 2.5÷3.5 cc E RC 2÷4 CANALI





60



74

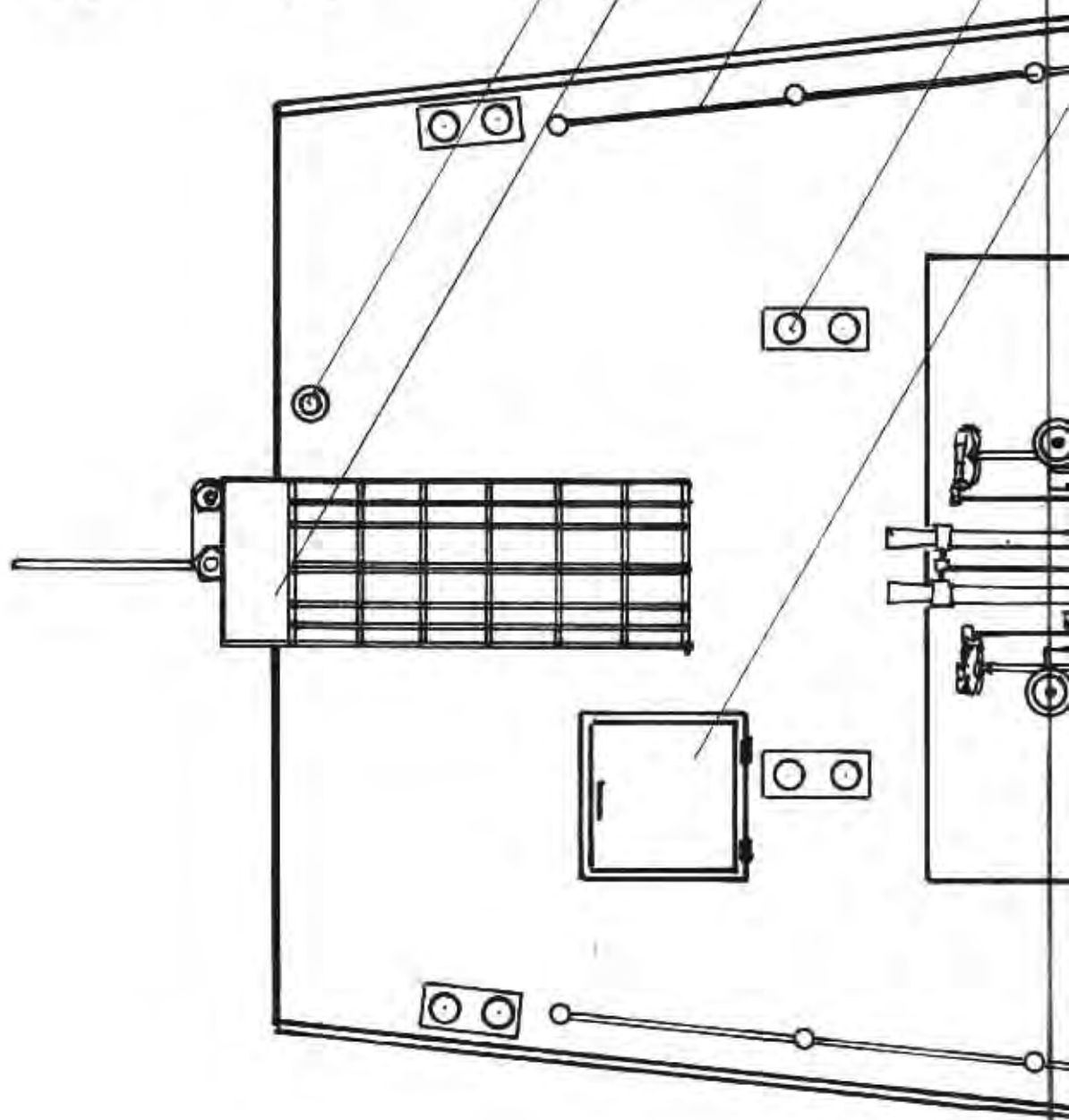
67

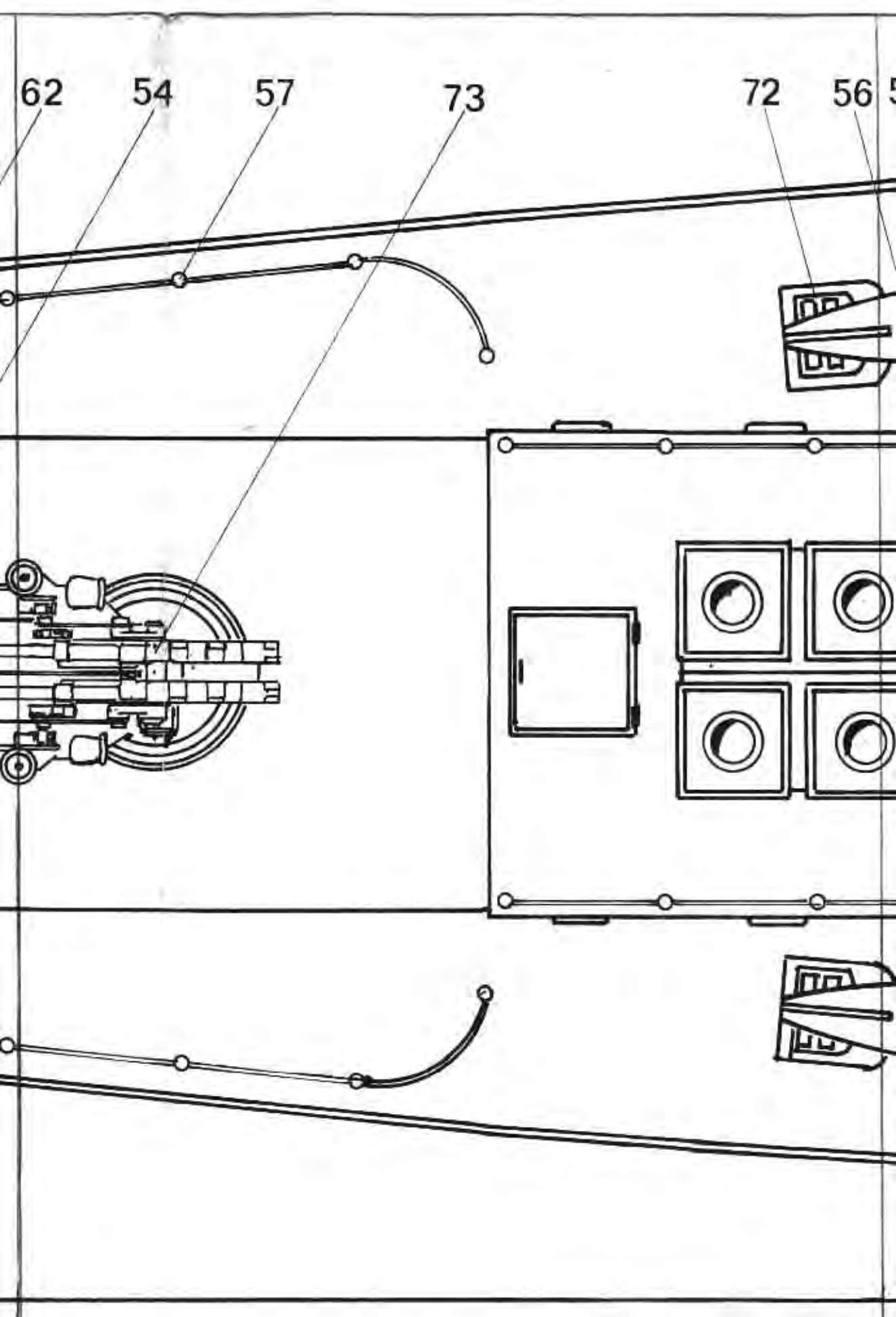
61

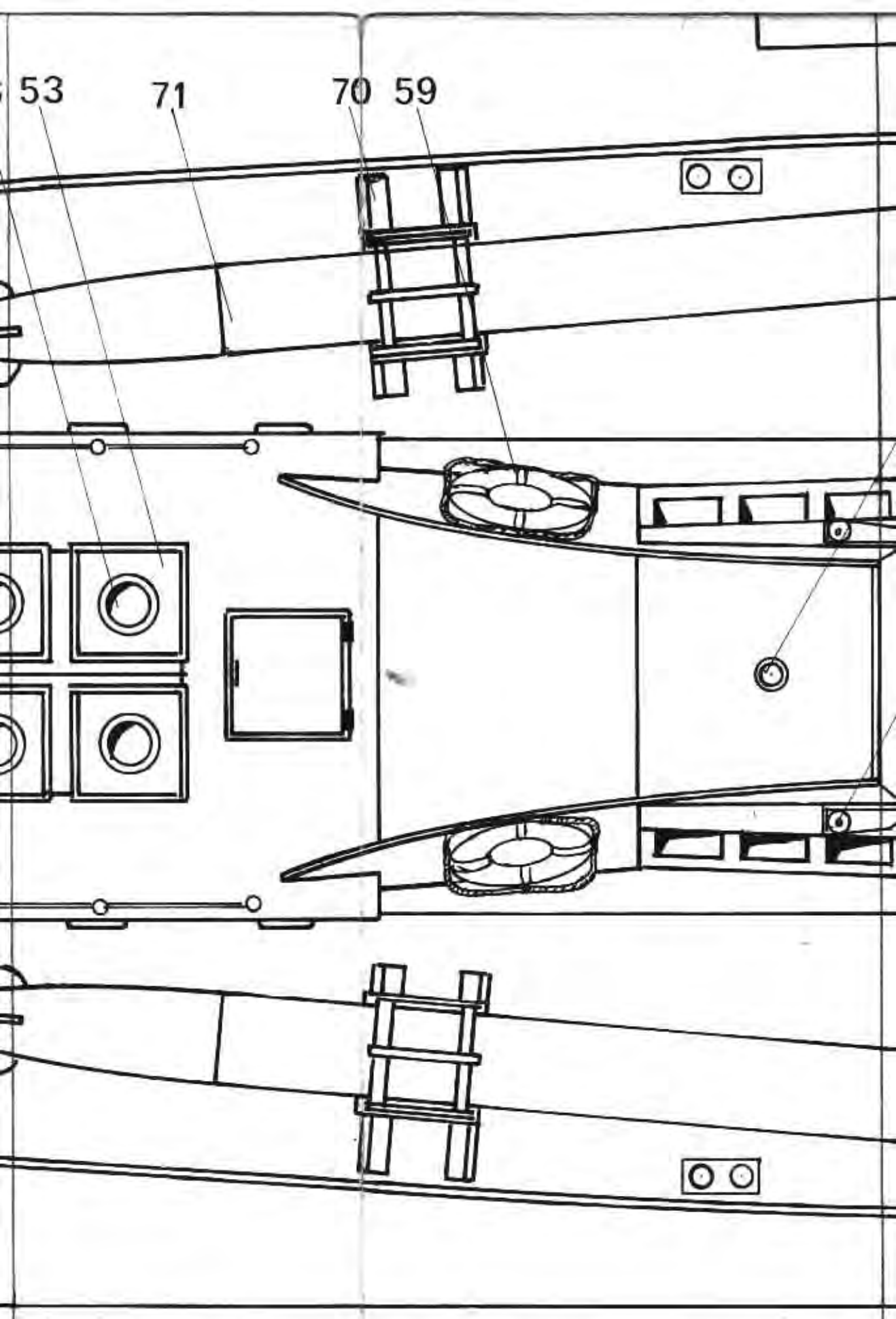
58

8

6







53

71

70

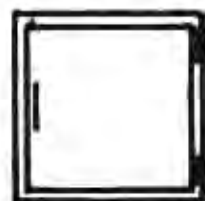
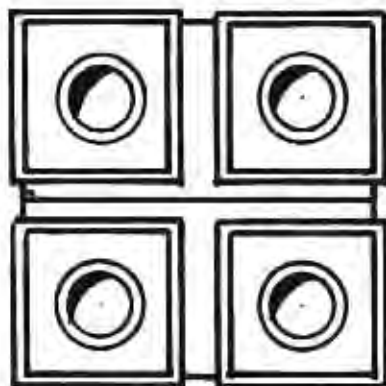
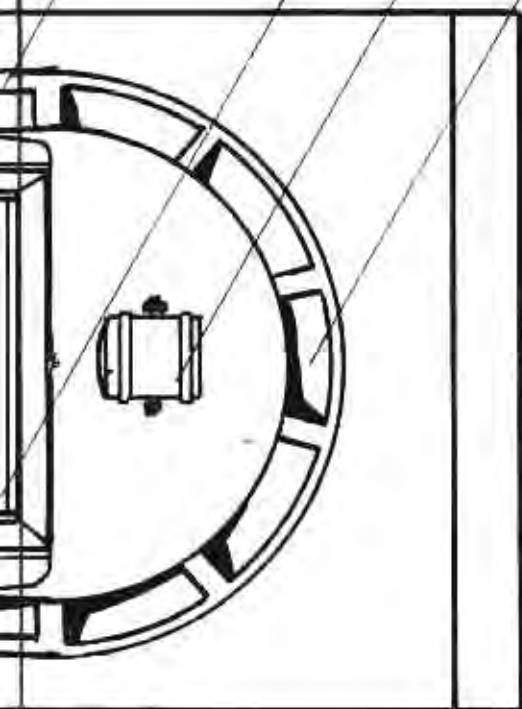
59

65

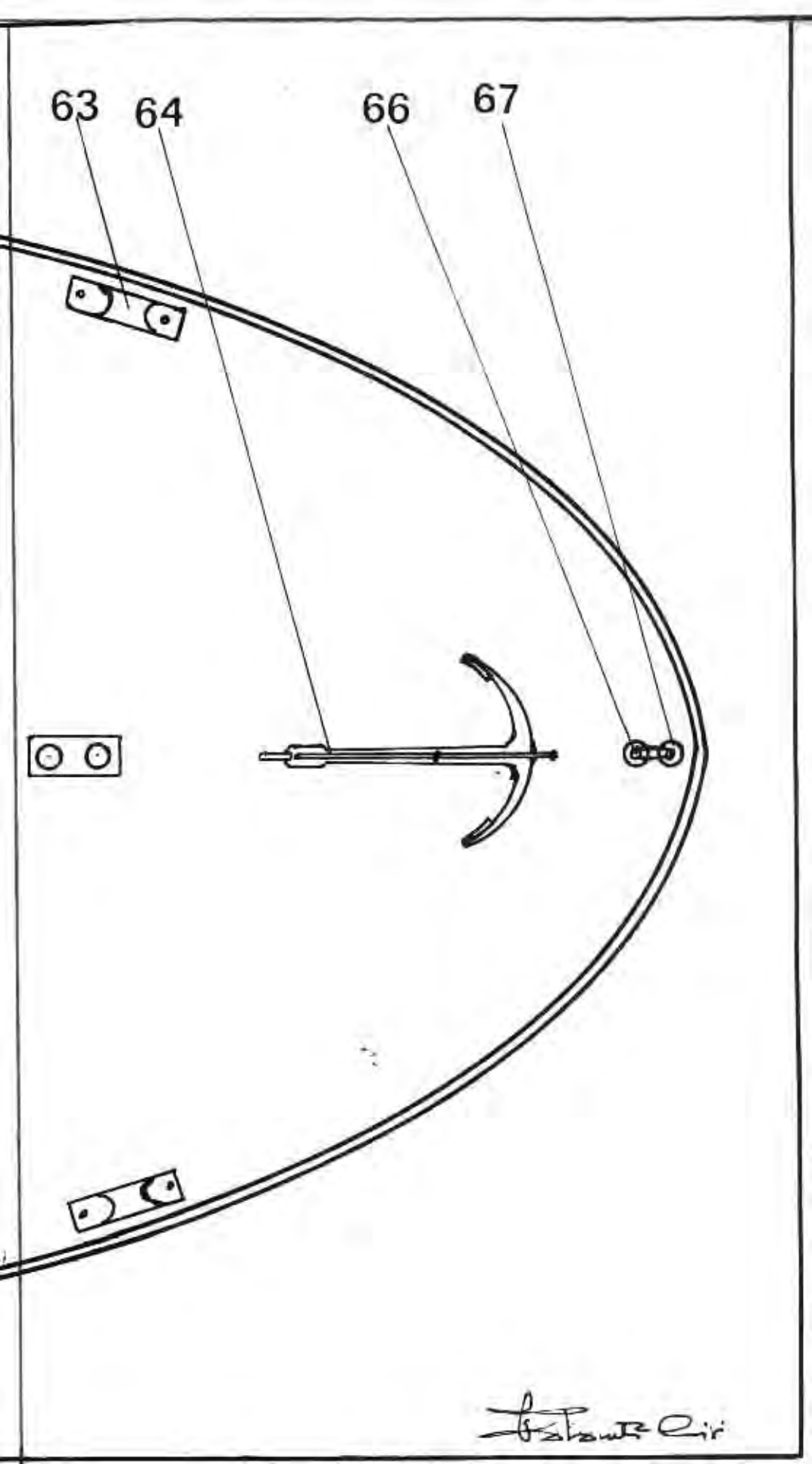
68

69

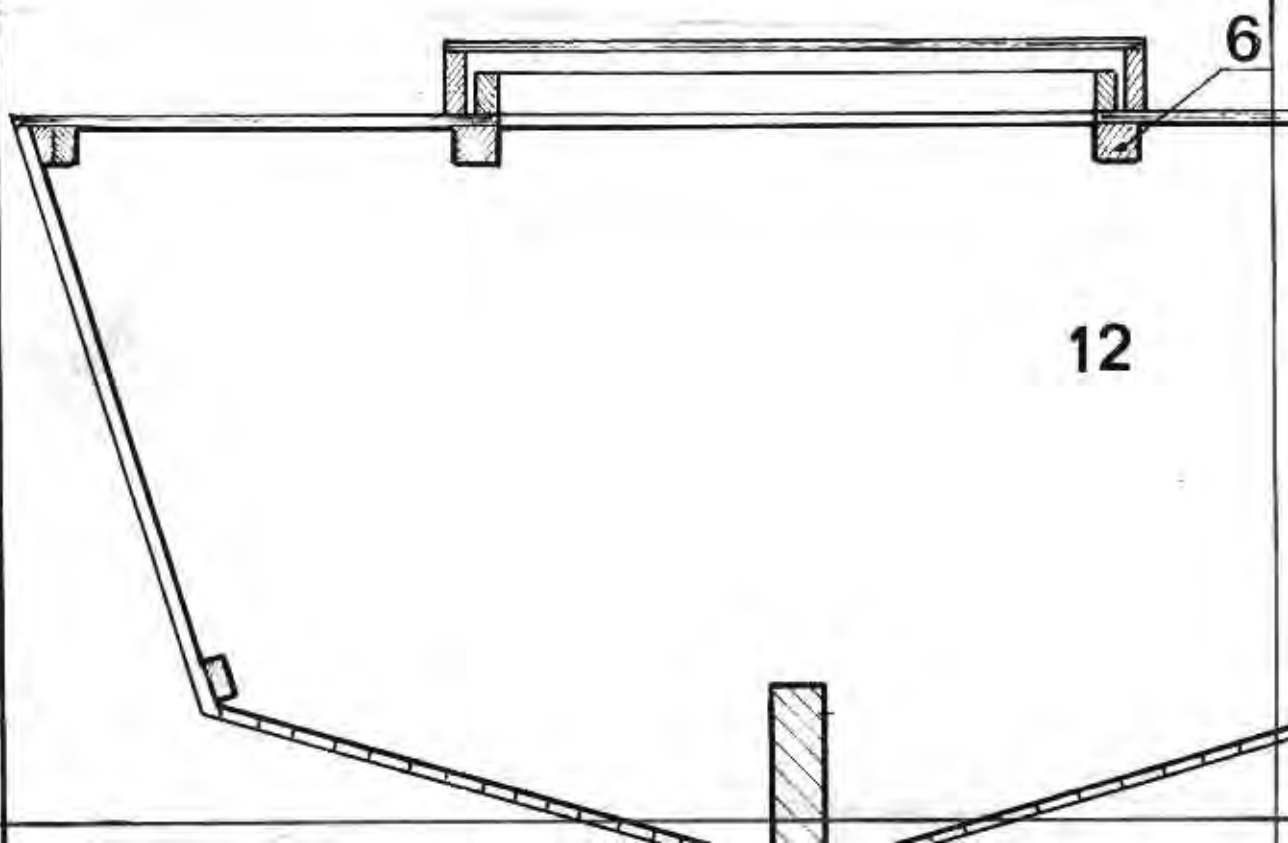
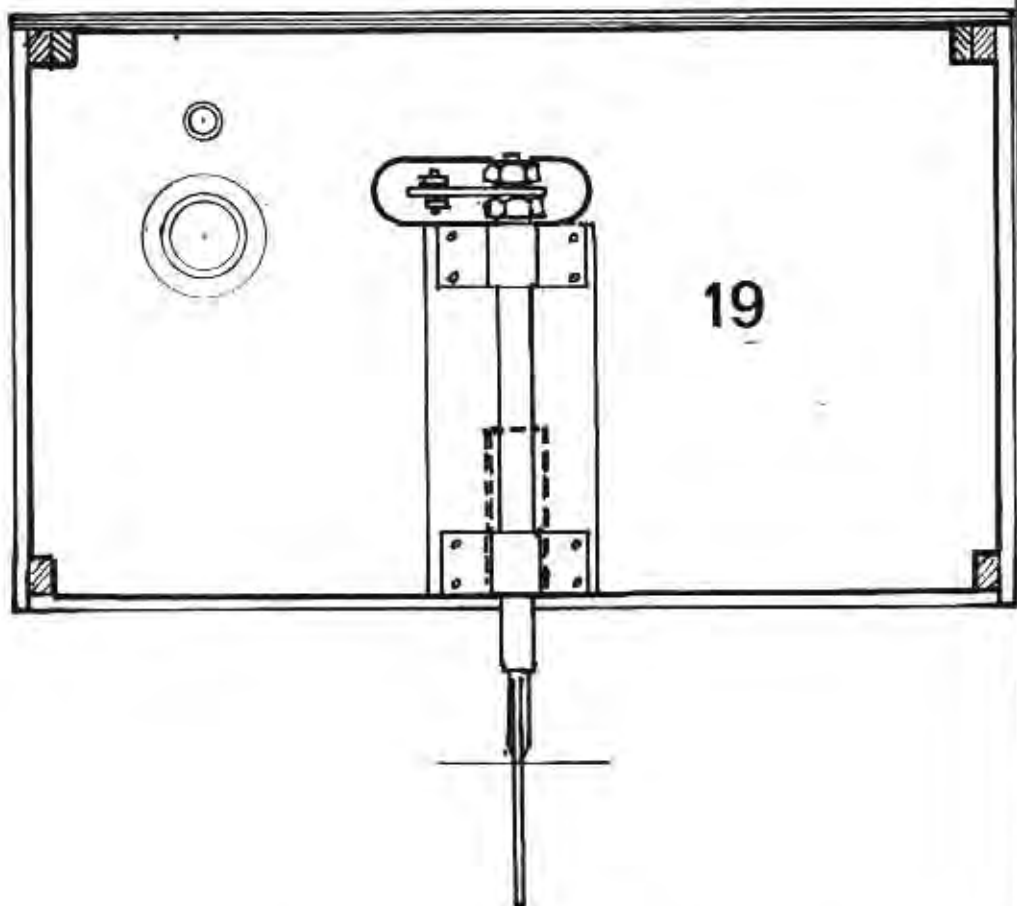
75

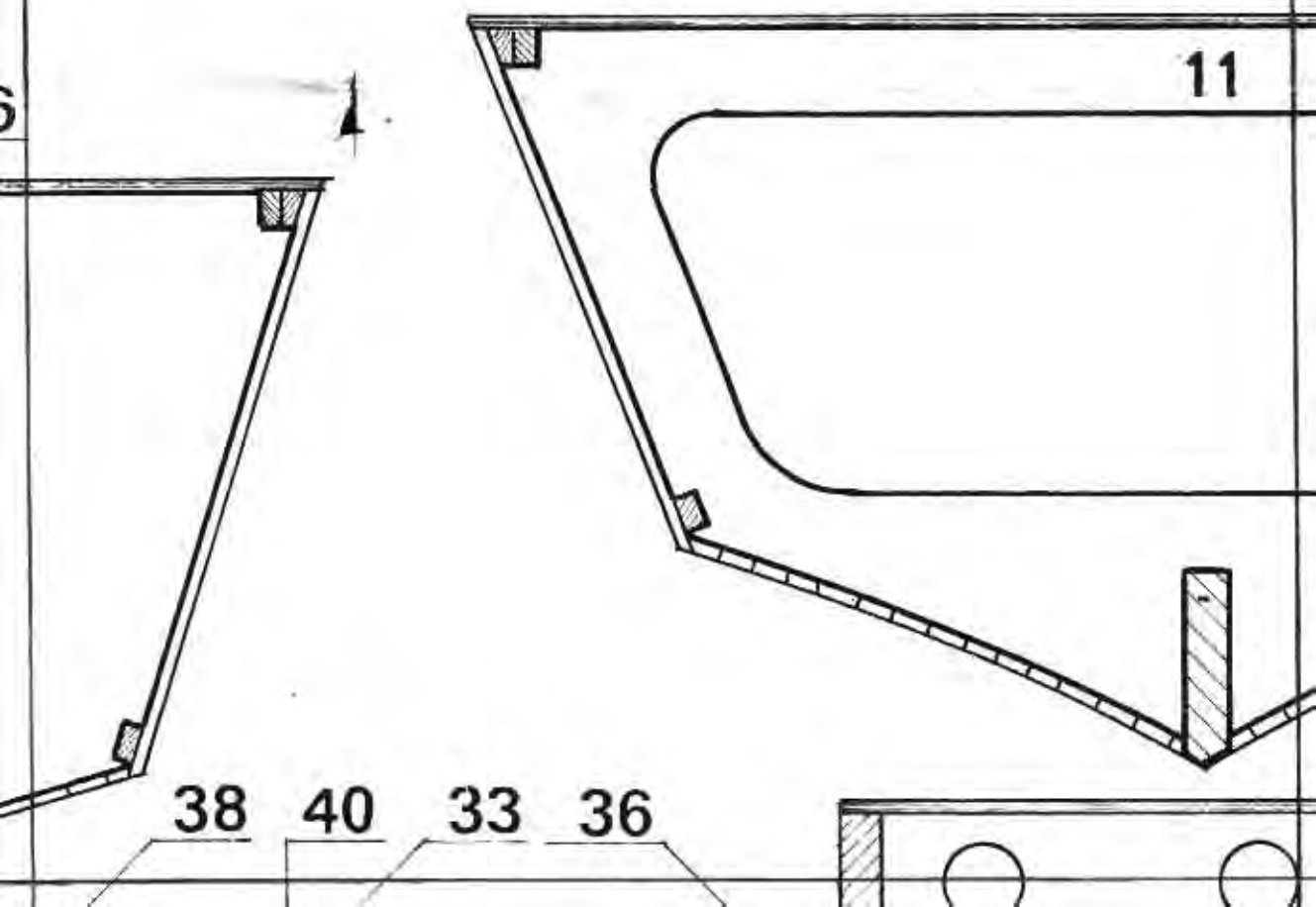
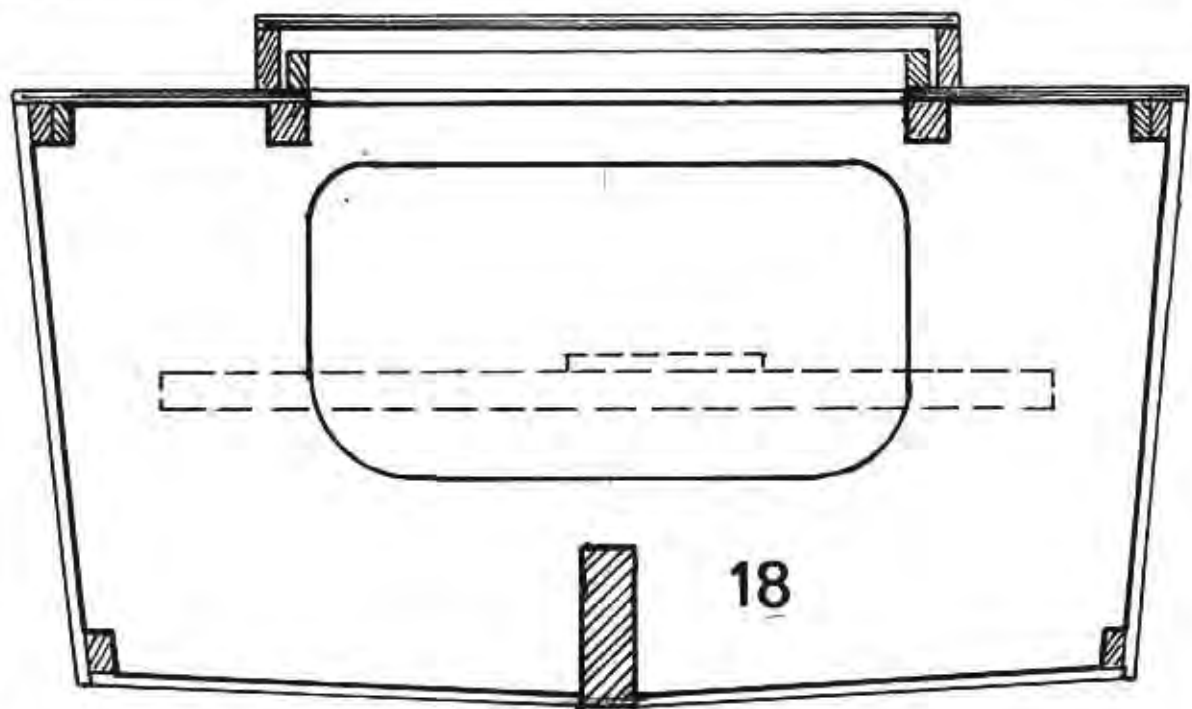


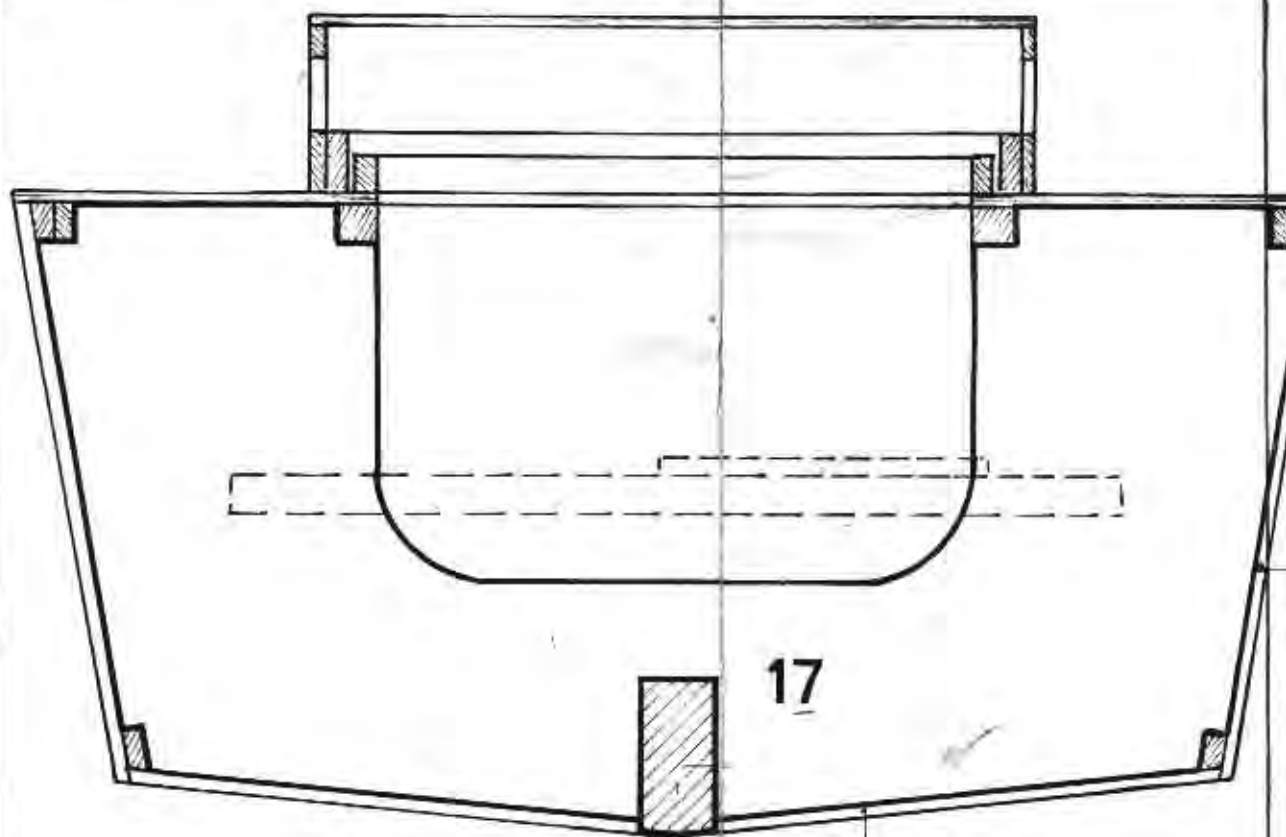




*Esteban Cir*







17

25

7

47

LIST. 2x2

22

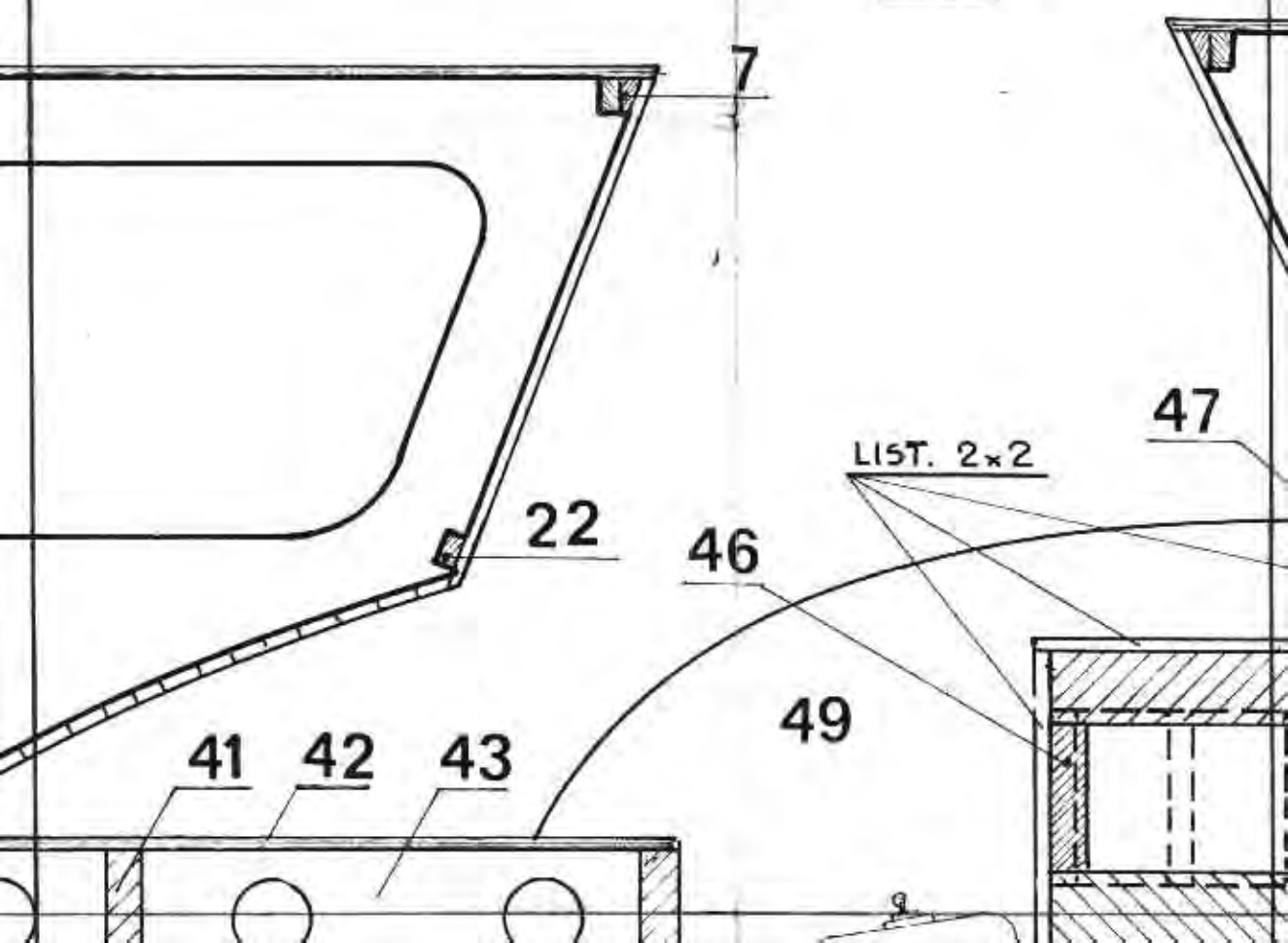
46

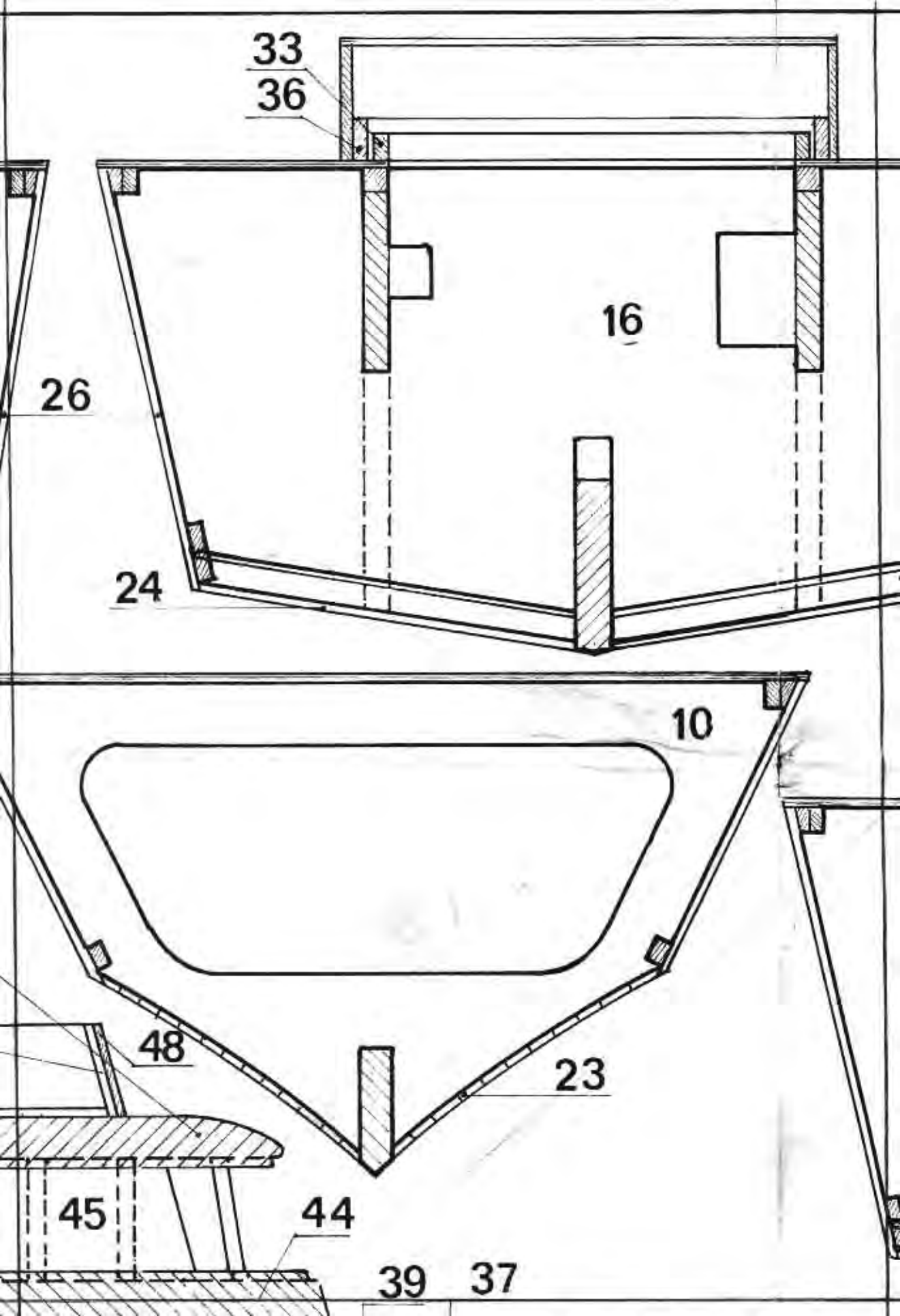
49

41

42

43





33

36

16

26

24

10

48

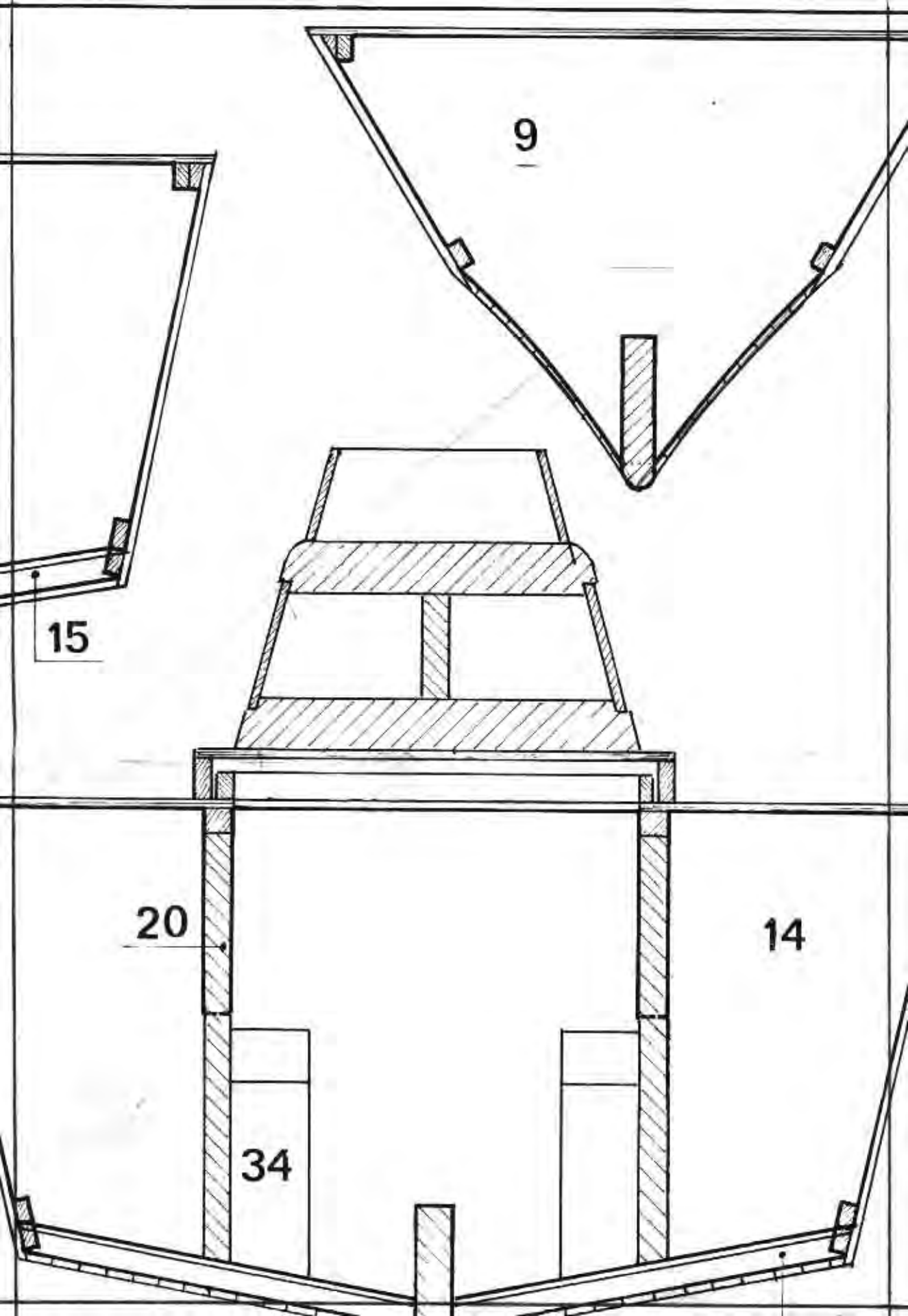
23

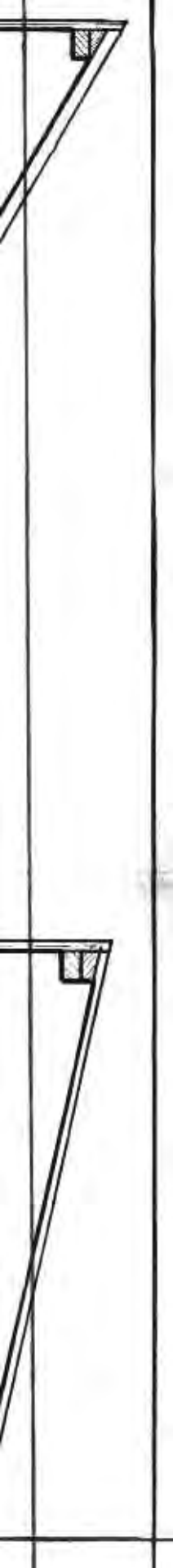
45

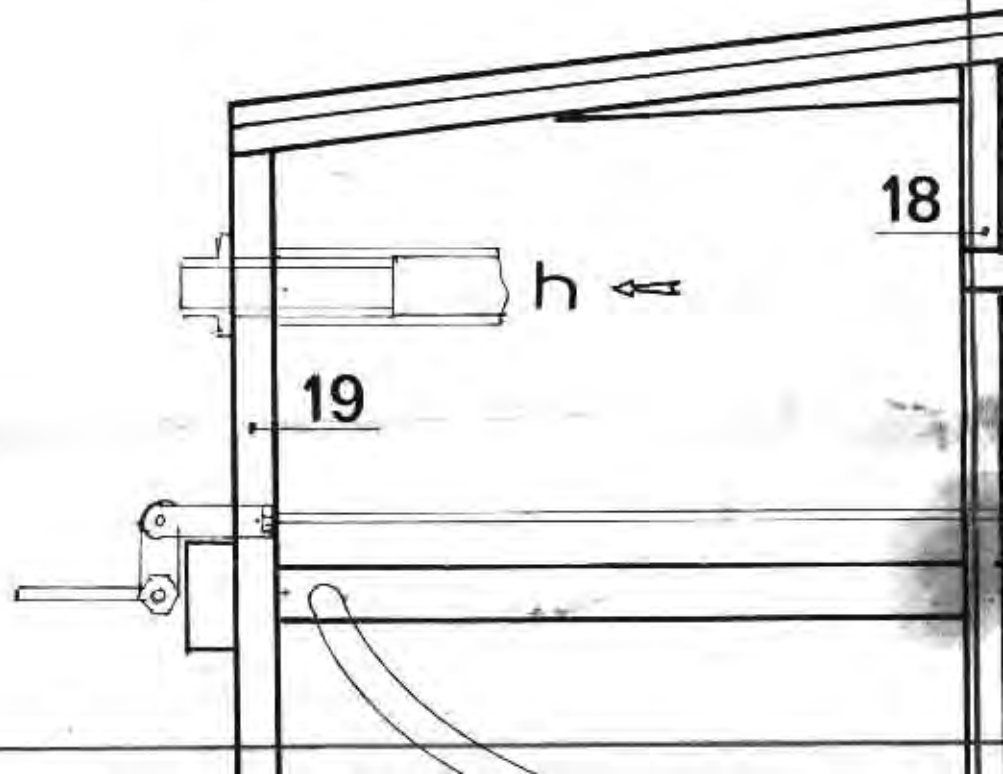
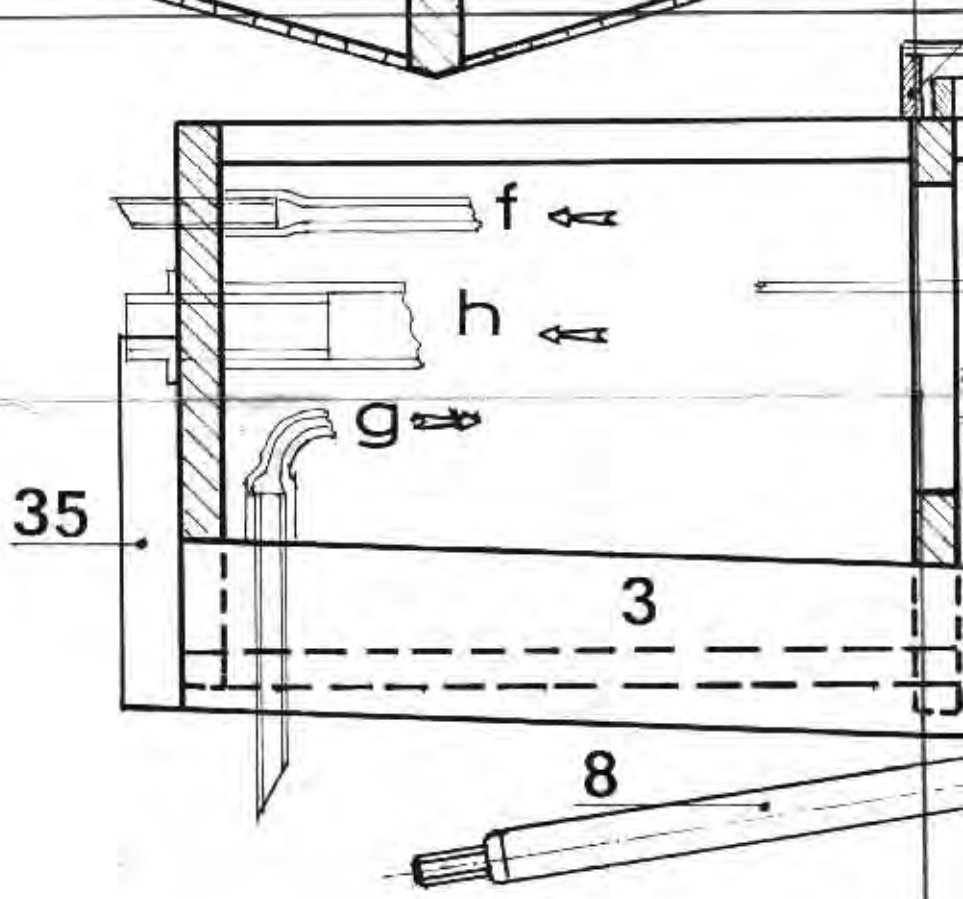
44

39

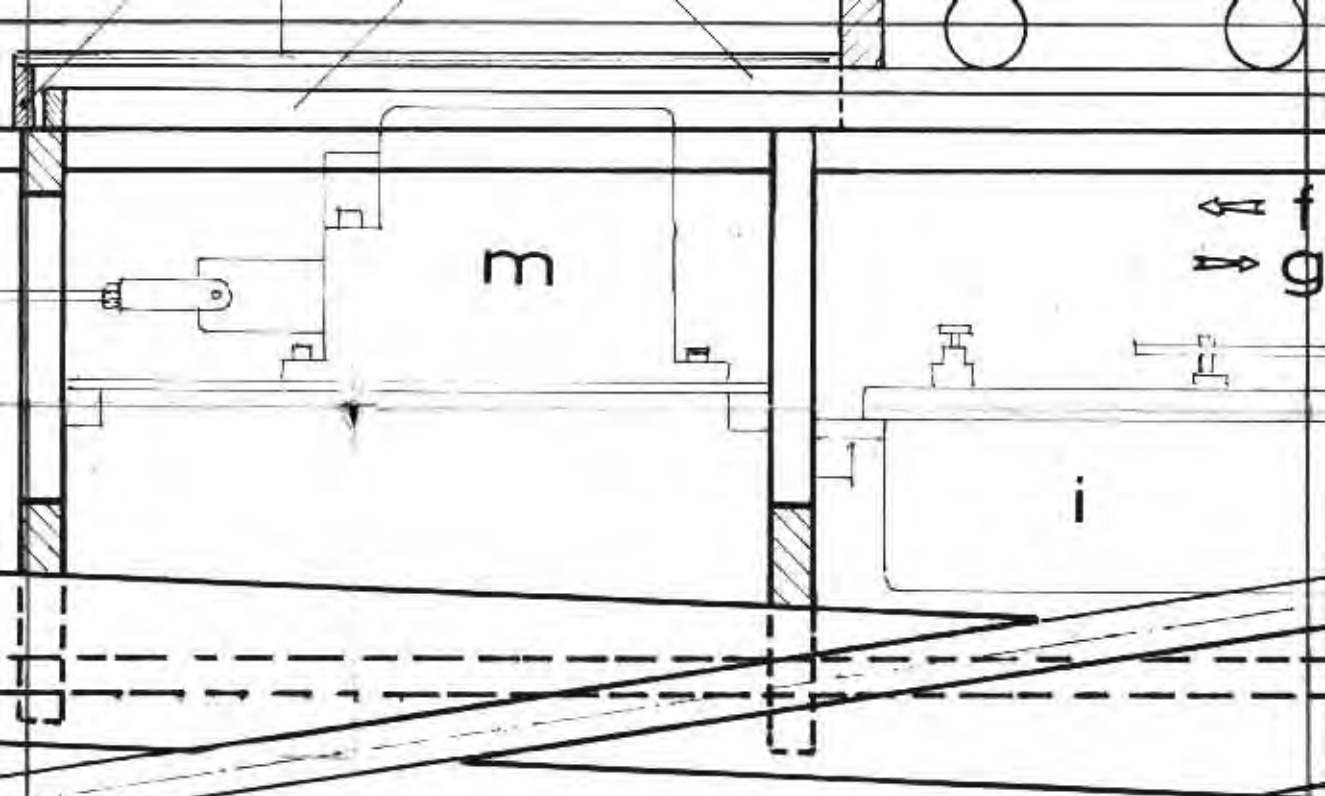
37



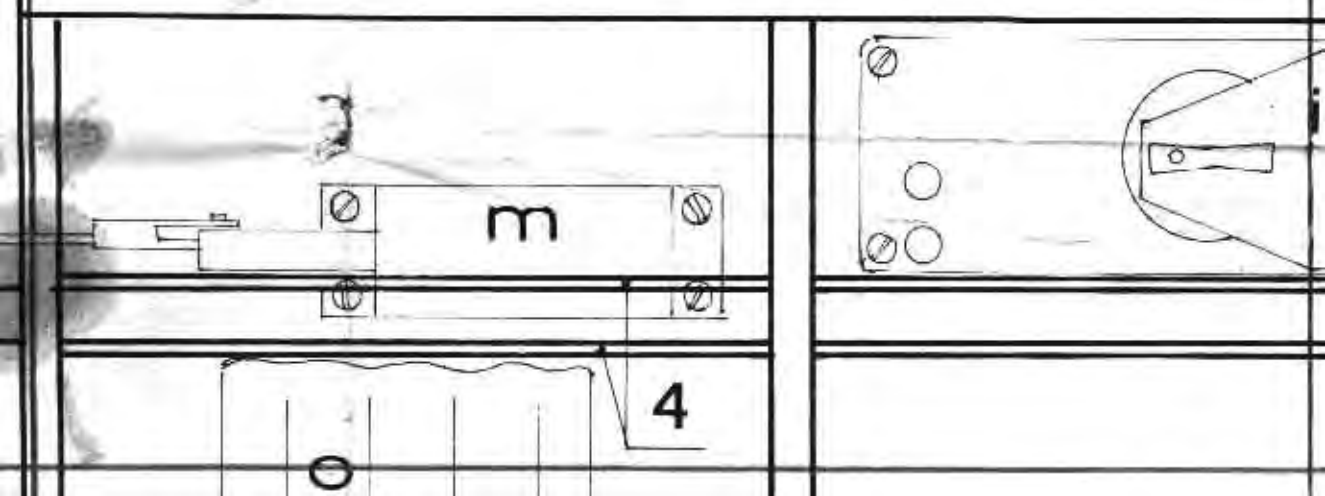


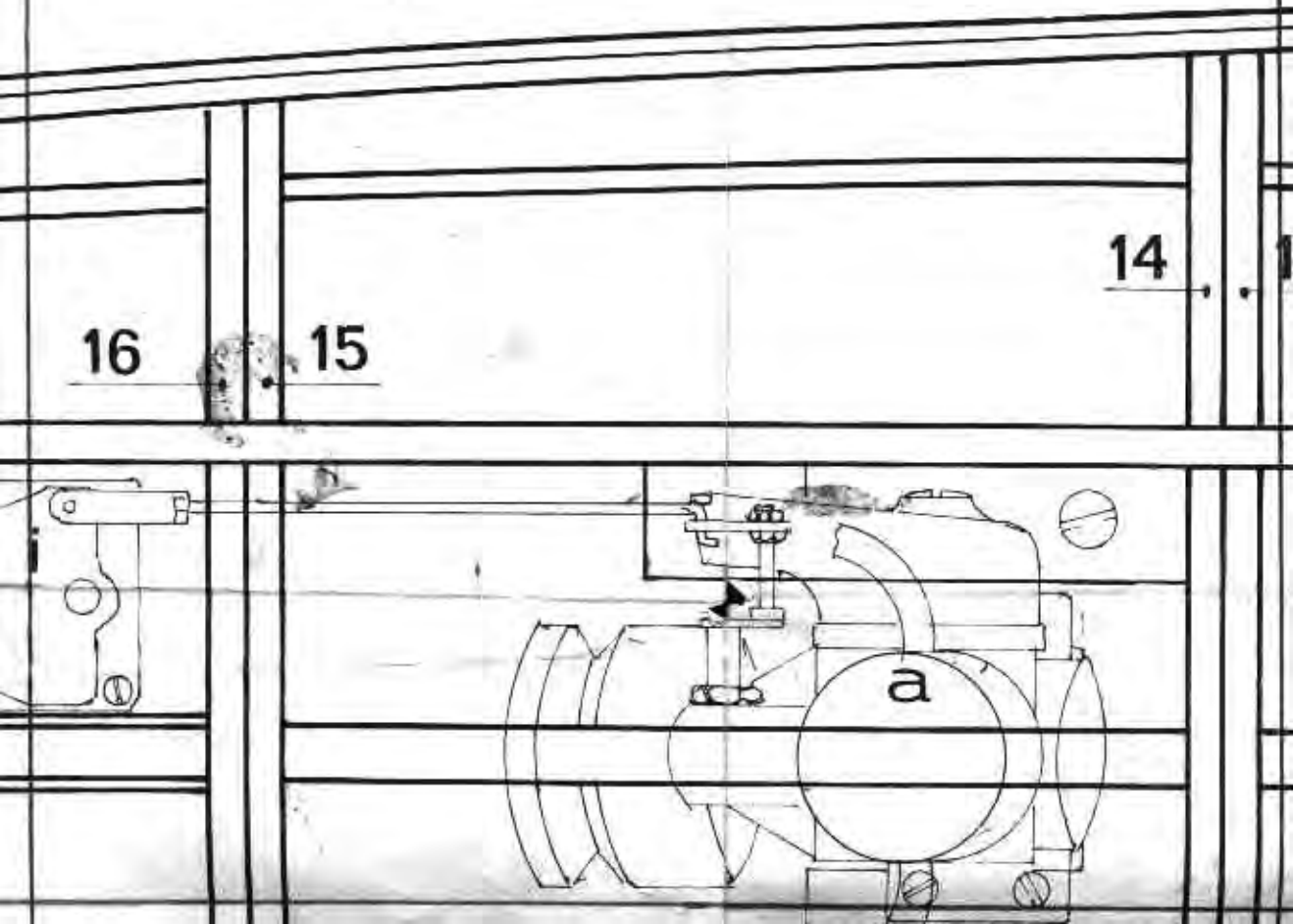
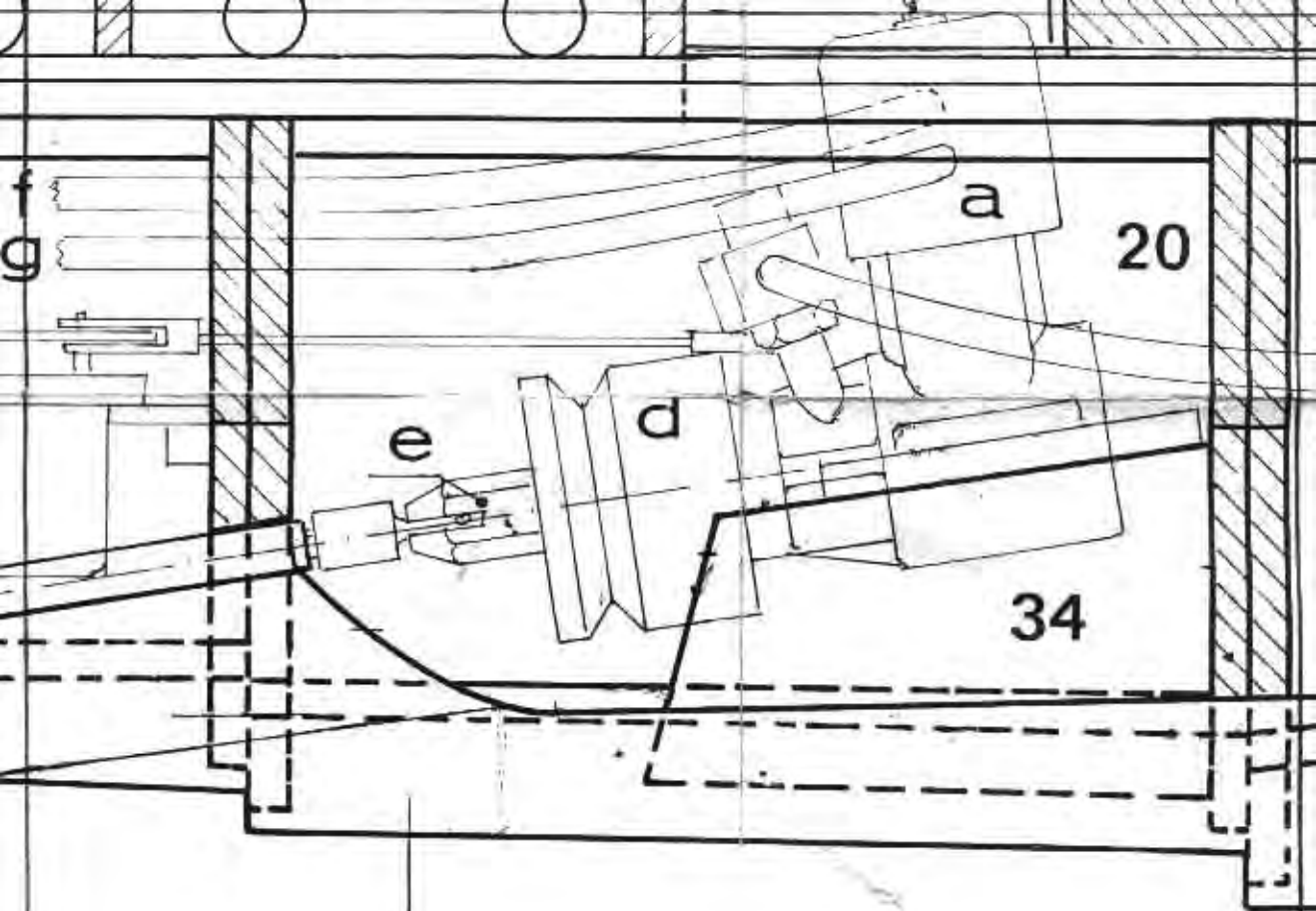


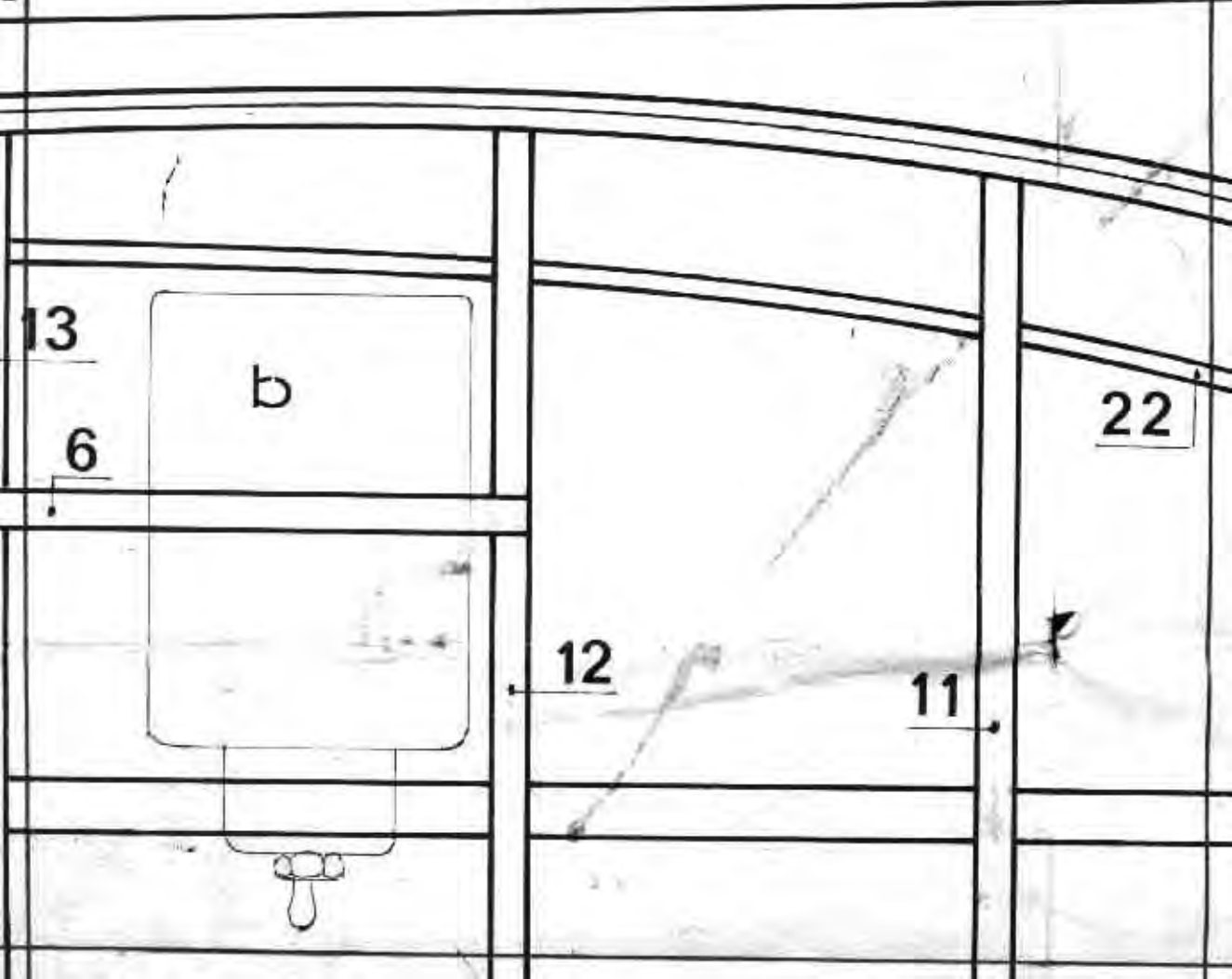
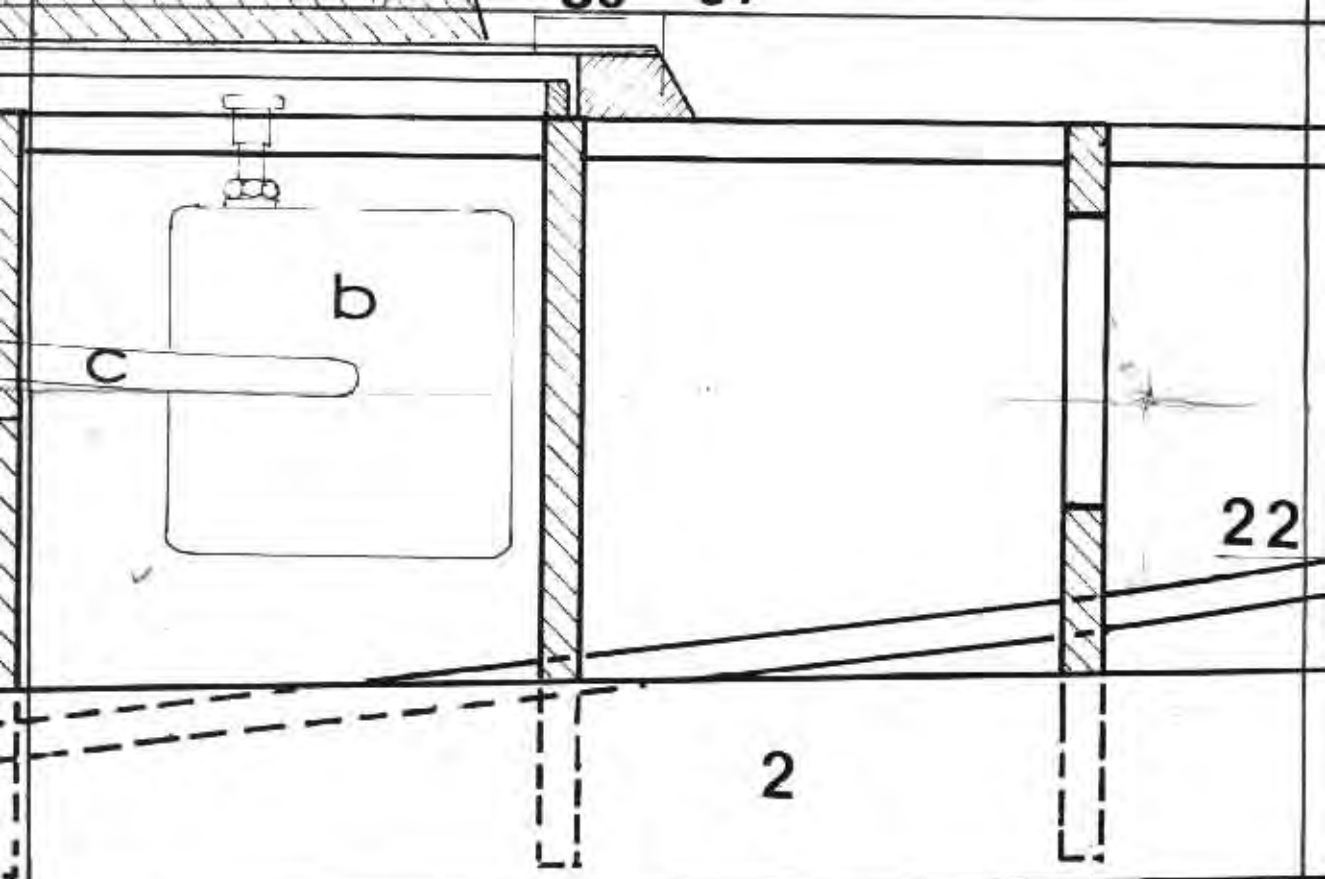


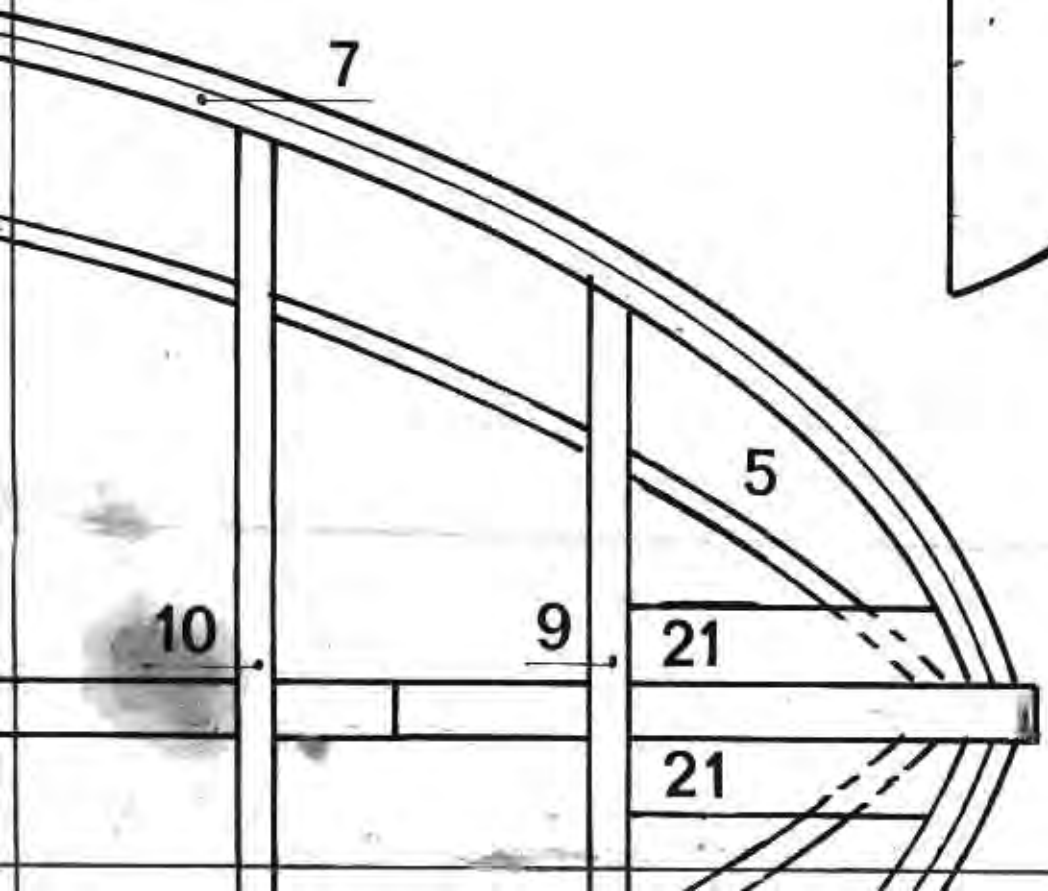
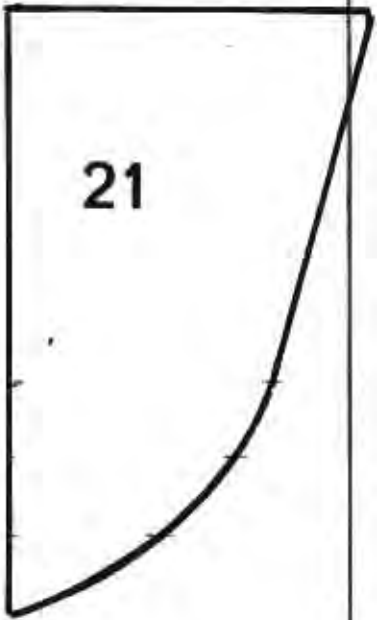
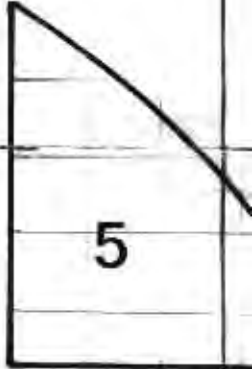
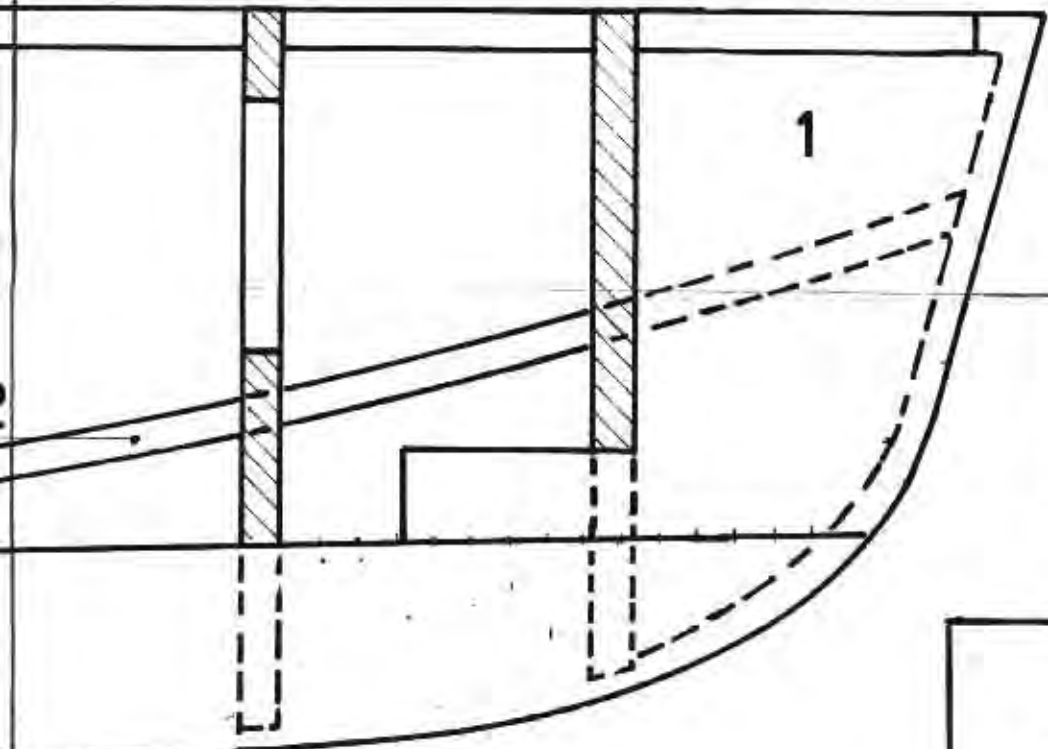


17.

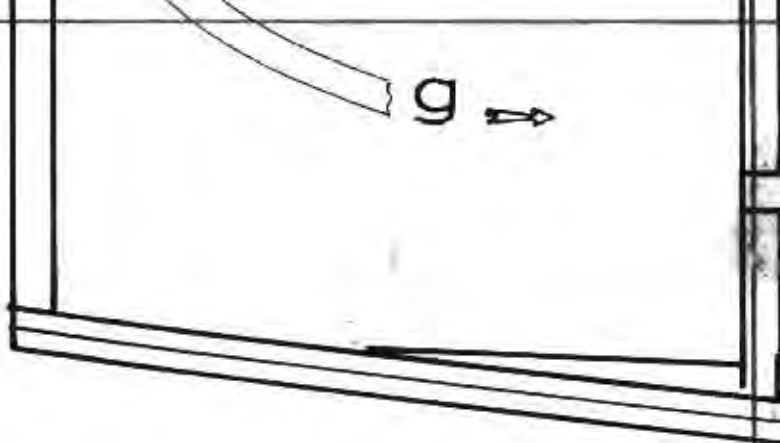










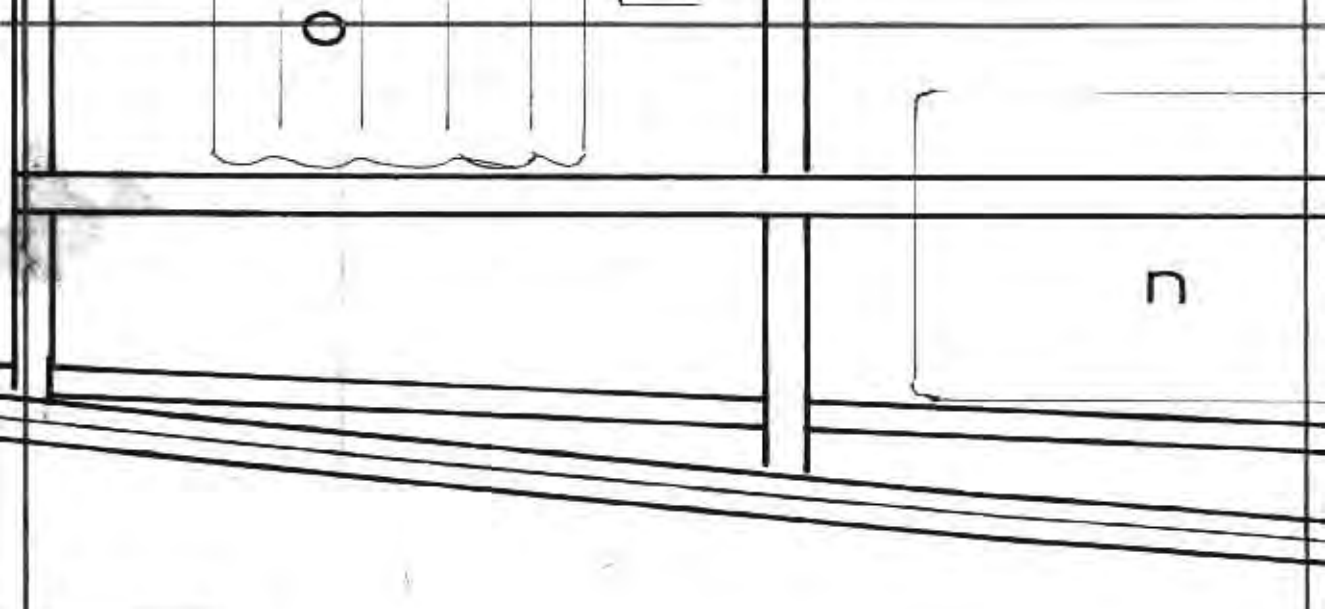


DM 2

MAS 562

2.

TAVO



A black and white architectural drawing showing a window with a scalloped curtain on the left and a door on the right. The drawing is overlaid on a grid. The door has a small 'n' symbol on it. Below the drawing is a table with two rows of text.

2.2.69
AVOLA 2

2.2.69
AVOLA 2

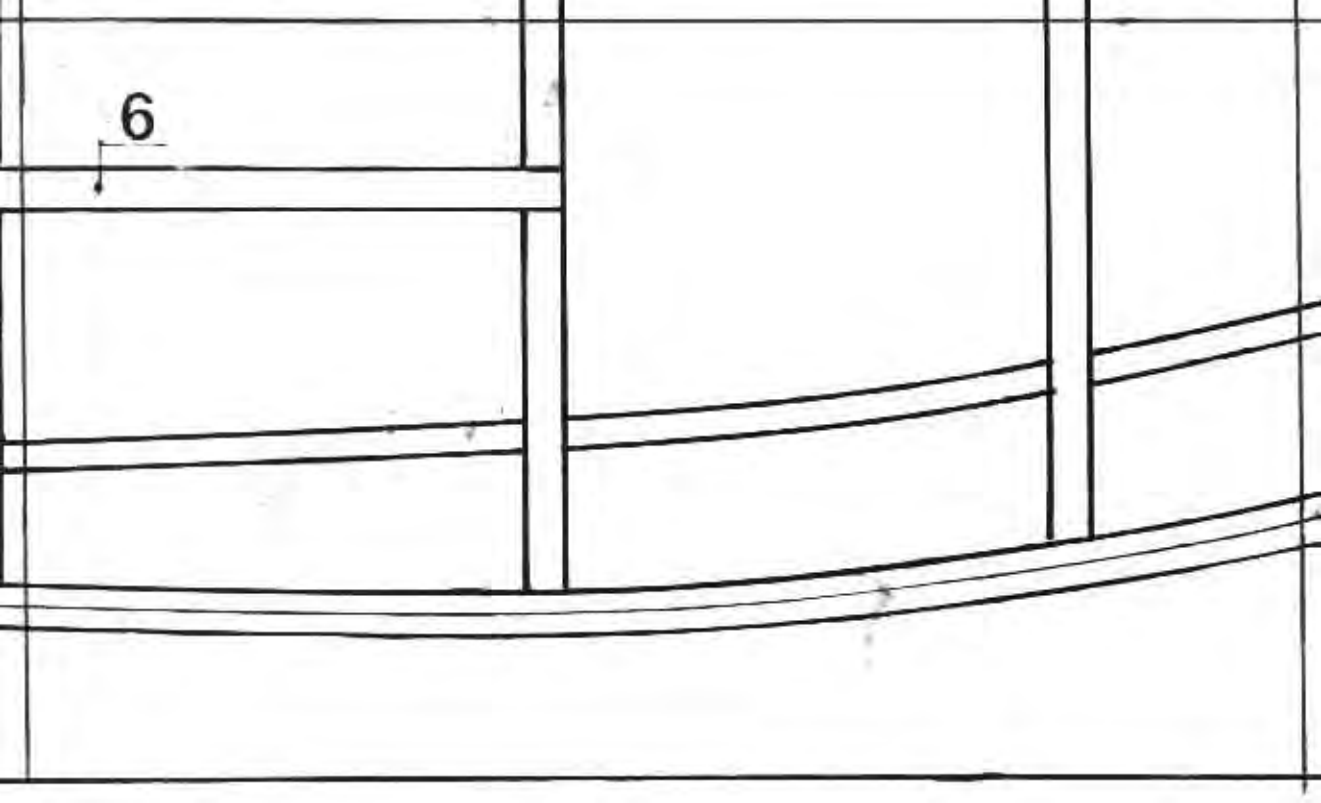


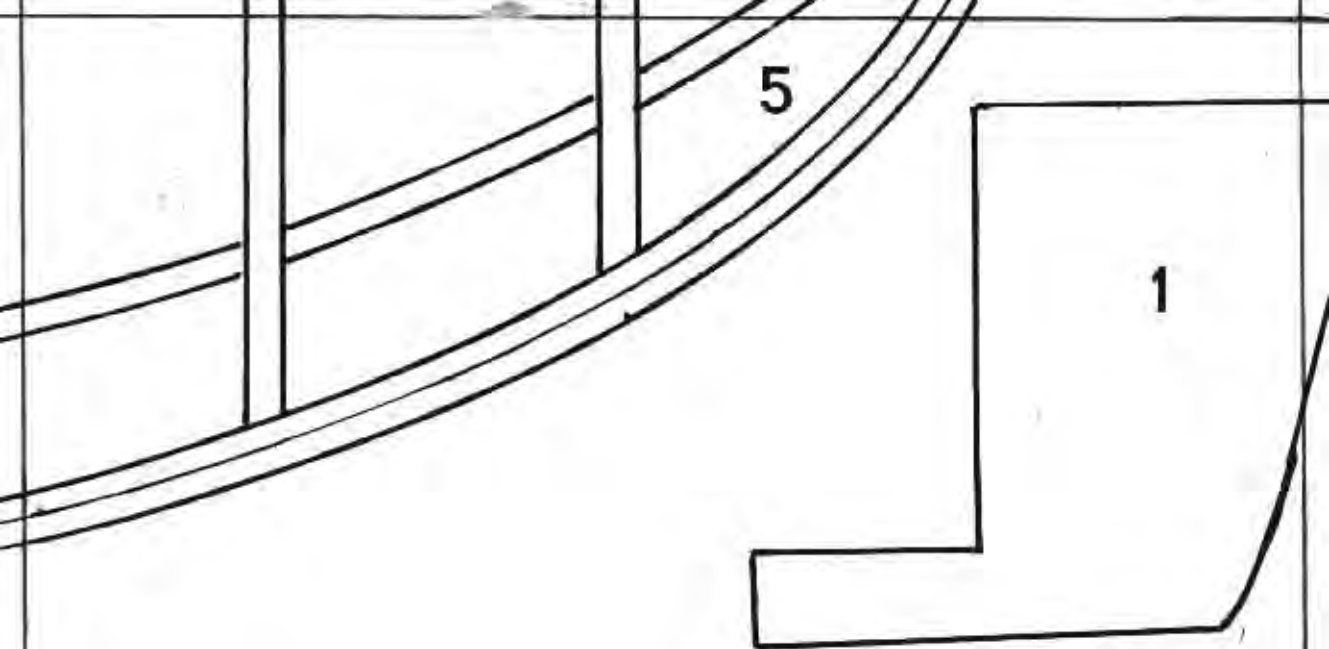
34





6





dis. *[Signature]*

